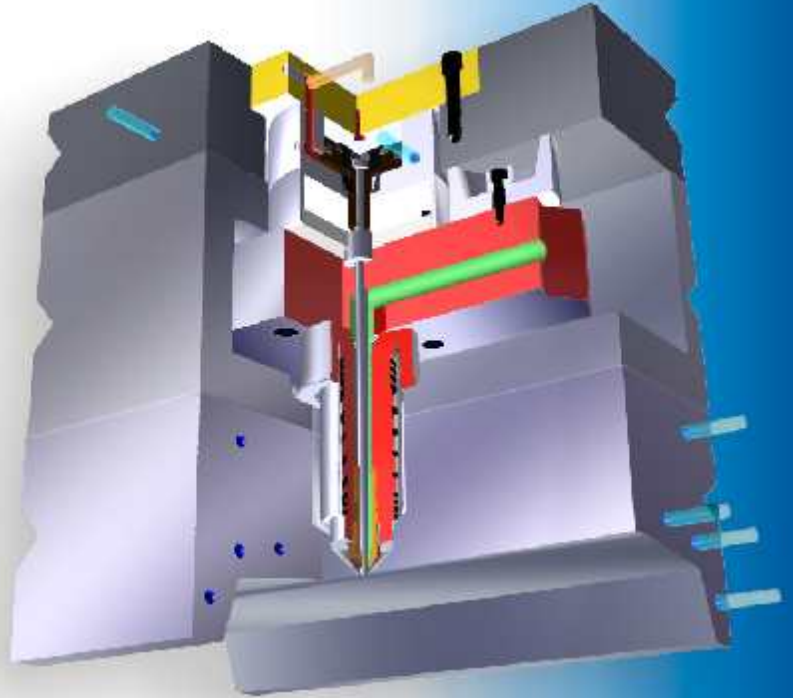




VALVE GATE SYSTEMS

LARGE PARTS
COSMETIC PARTS

COMODITY RESINS
ENGINEERING RESINS



TF2-VGC
TF2-VGL

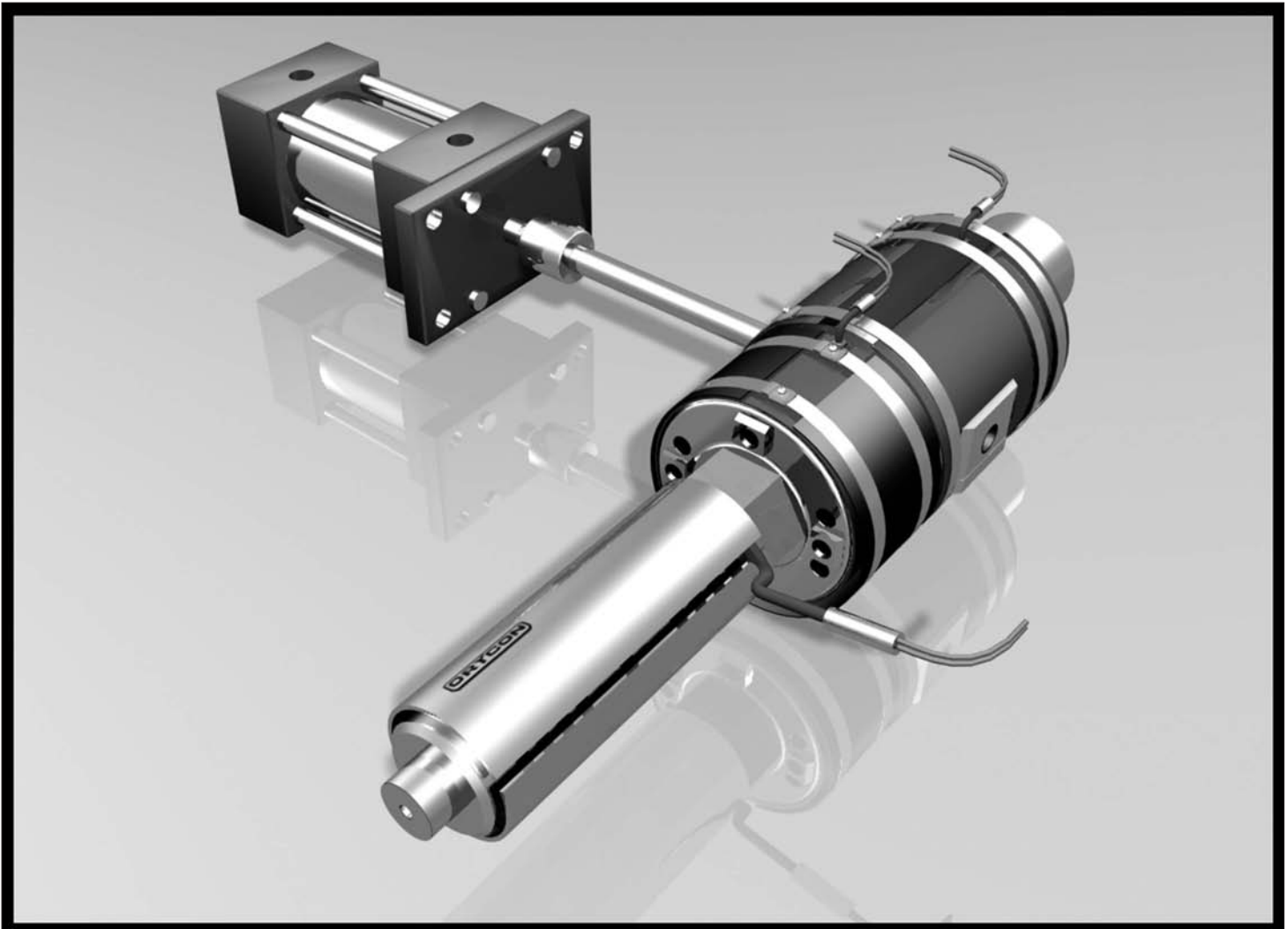


KILOSHOT



Dedicated To Your Success

VALVE GATE SYSTEMS



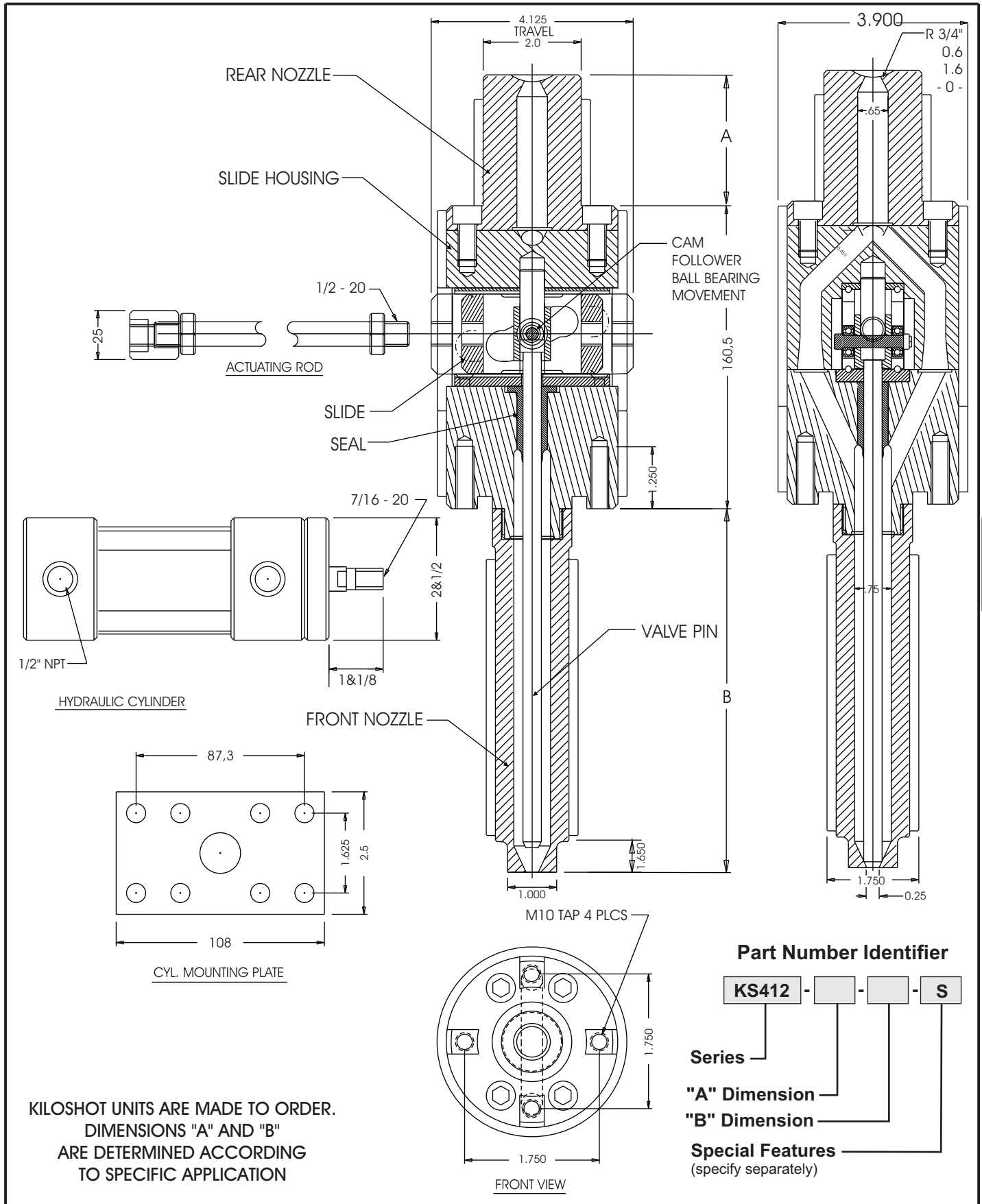
The **ORYCON KILOSHOT Single Nozzle Valve Gate** is designed specifically for large volume parts. It features positive action, long operating life, simple installation, simple maintenance and low initial cost.

The movement relies on a cam mechanism rather than a pivot, which provides latching in closed and open positions. The hydraulic or pneumatic cylinder is used only for opening and closing motion and is not relied upon to overcome the injection and molding pressures. The cylinder can be located at a distance from the nozzle to avoid exposure to high temperatures.

The length of front and rear nozzle extensions can be adjusted to place the actuating rod in a location where it does not interfere with water lines or ejector plates:

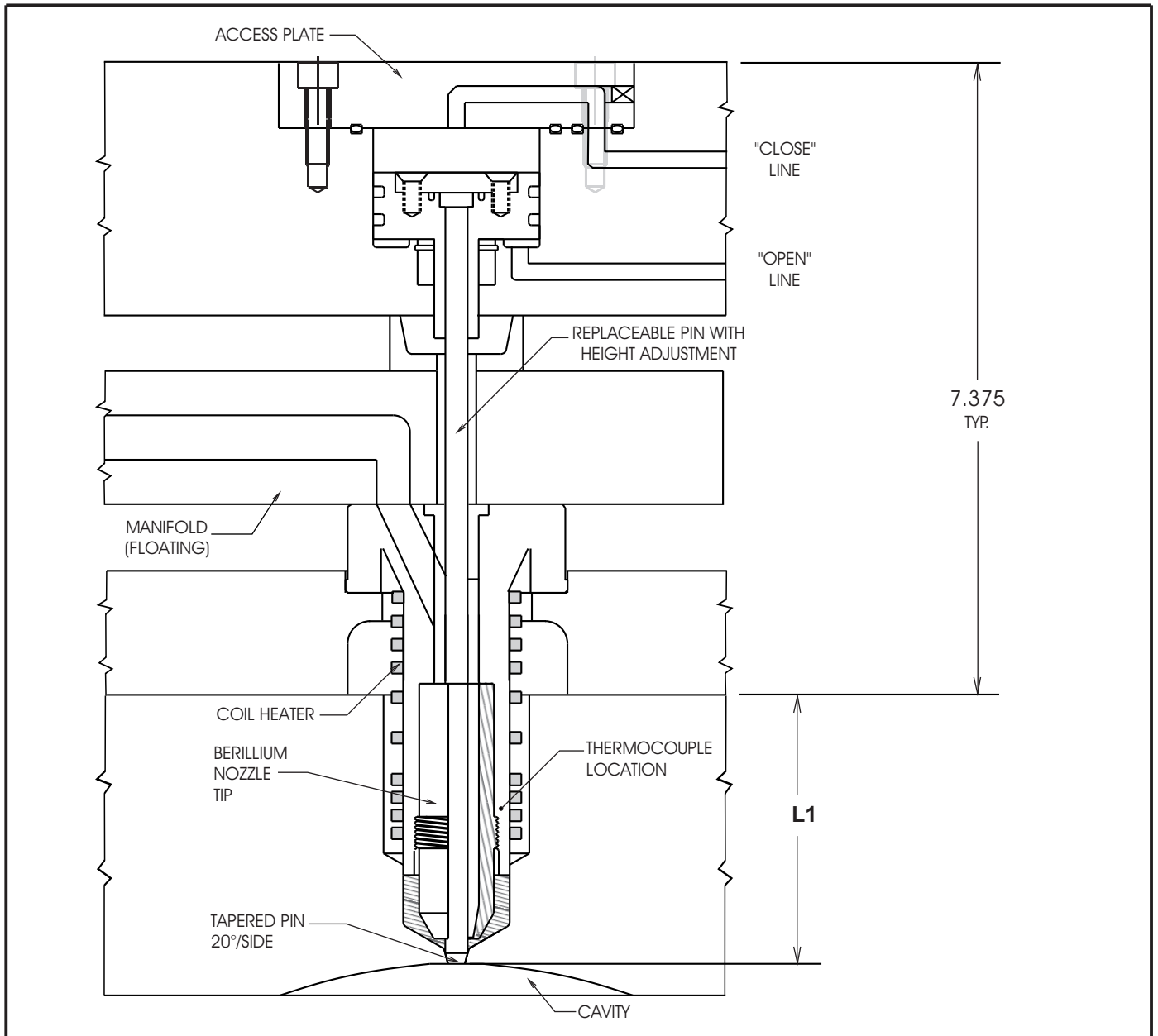
The end of the actuating rod is provided with a quick disconnect to allow easy removal of the cylinder for ease of mold set-up and transportation.

SINGLE NOZZLE VALVE GATE



Valve Gate Systems

VALVE GATING HEATED BUSHING AND CYLINDER



NOZZLES

"L1" STANDARD DIMENSIONS:
 3.375 3.875 4.375 4.875 5.375 5.875
 (Other sizes available with longer delivery times.)

DESIGN SPECIFICATIONS ARE SUBJECT TO CHANGE WITHOUT NOTICE
 HEATERS ARE 220V STANDARD

REPLACEMENT THERMOCOUPLES

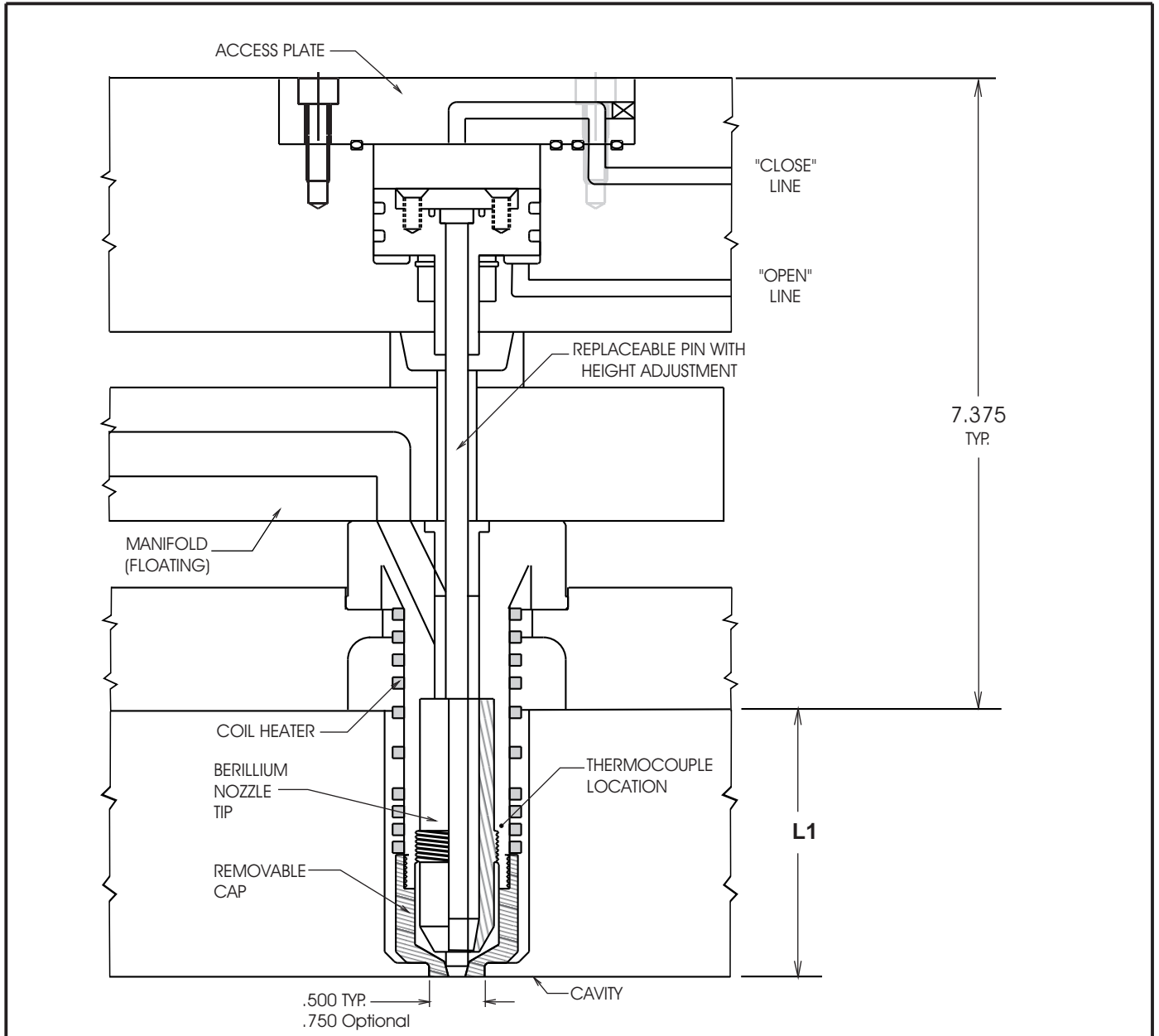
ALL SIZES
 CATALOG NO.
 OCT-025-14

ABOVE ARE TYPE "J"

TO ORDER

PLEASE PROVIDE DRAWING OF MOLD DESIGN.

VALVE GATING HEATED BUSHING AND CYLINDER



Valve Gate Systems

NOZZLES

"L1" STANDARD DIMENSIONS:
 2.000, 2.500, 3.000, 3.500, 4.000, 4.500, 5.000,
 5.500, 6.000, 6.500
 (Other sizes available with longer delivery times.)

DESIGN SPECIFICATIONS ARE SUBJECT TO CHANGE WITHOUT NOTICE
 HEATERS ARE 220V STANDARD

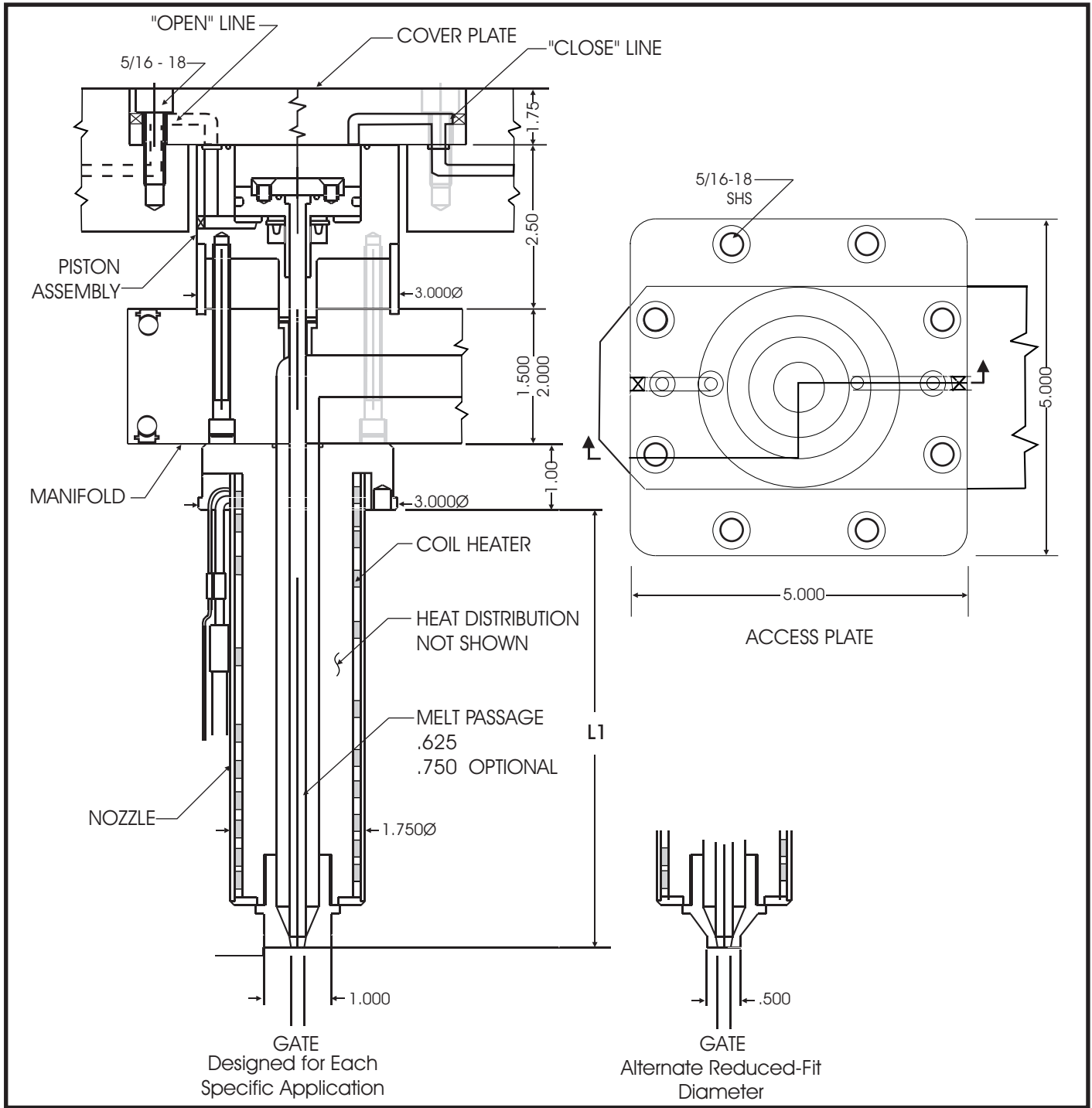
REPLACEMENT THERMOCOUPLES

ALL SIZES
 CATALOG NO.
 OCT-025-14

ABOVE ARE TYPE "J"

TO ORDER

PLEASE PROVIDE DRAWING OF MOLD DESIGN.



NOZZLES

"L1" STANDARD DIMENSIONS:

5.375, 6.375, 7.375, 8.375, 9.375, 10.375, 11.375, 12.375, 13.375, 14.375, 15.375
(Other sizes available with longer delivery times.)

DESIGN SPECIFICATIONS ARE SUBJECT TO CHANGE WITHOUT NOTICE
HEATERS ARE 220V STANDARD

REPLACEMENT THERMOCOUPLES

ALL SIZES
CATALOG NO.
OCT-025-14

ABOVE ARE TYPE "J"

TO ORDER

PLEASE PROVIDE DRAWING OF MOLD DESIGN.