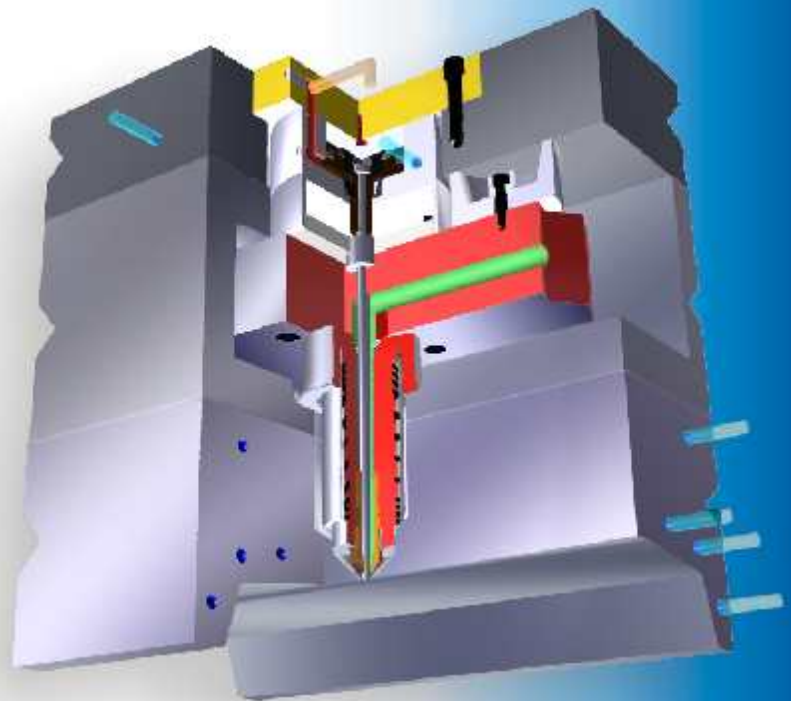




VALVE GATE SYSTEMS

LARGE PARTS
COSMETIC PARTS

COMODITY RESINS
ENGINEERING RESINS



TF2-VGC
TF2-VGL

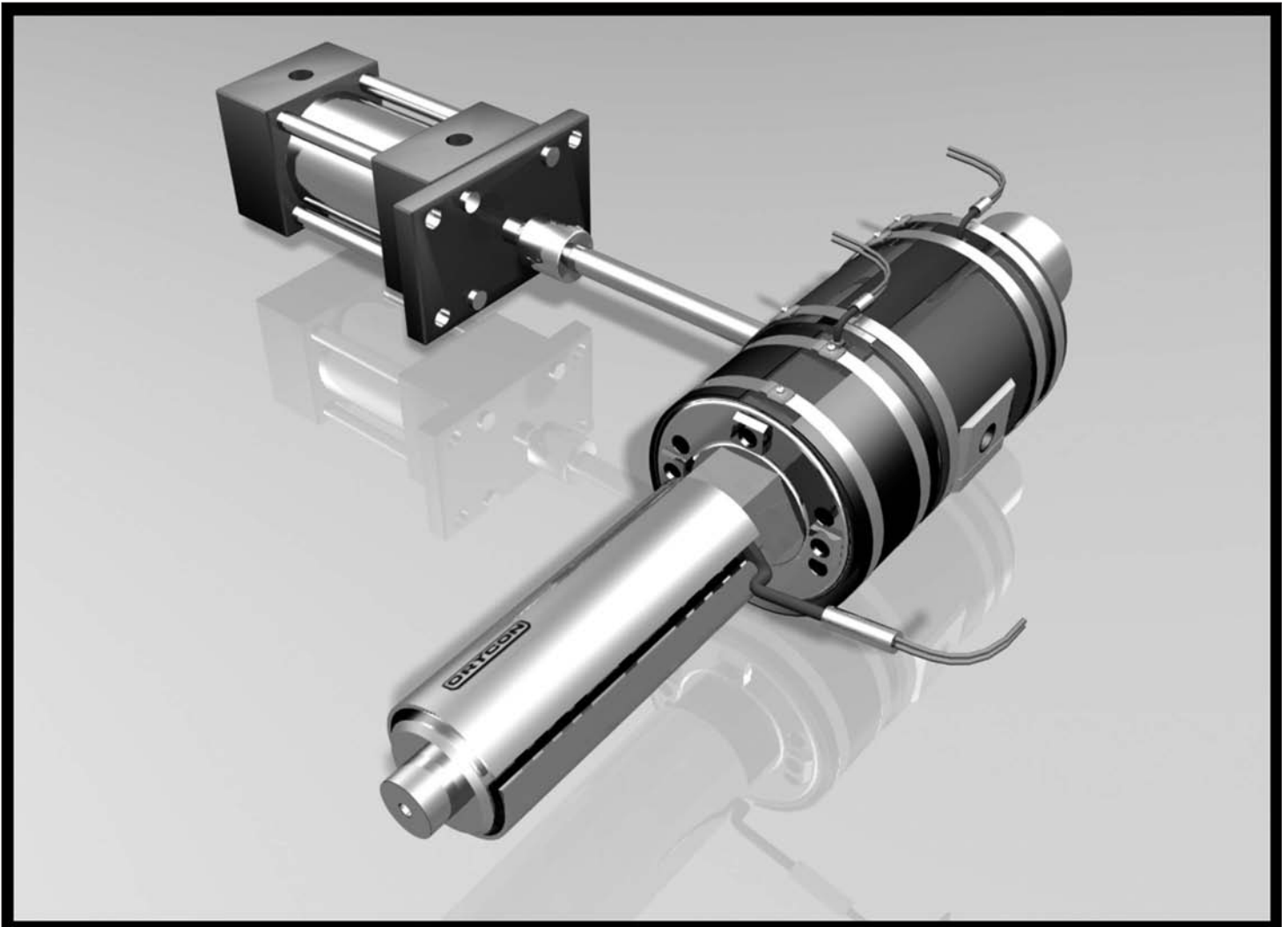


KILOSHOT



Dedicated To Your Success

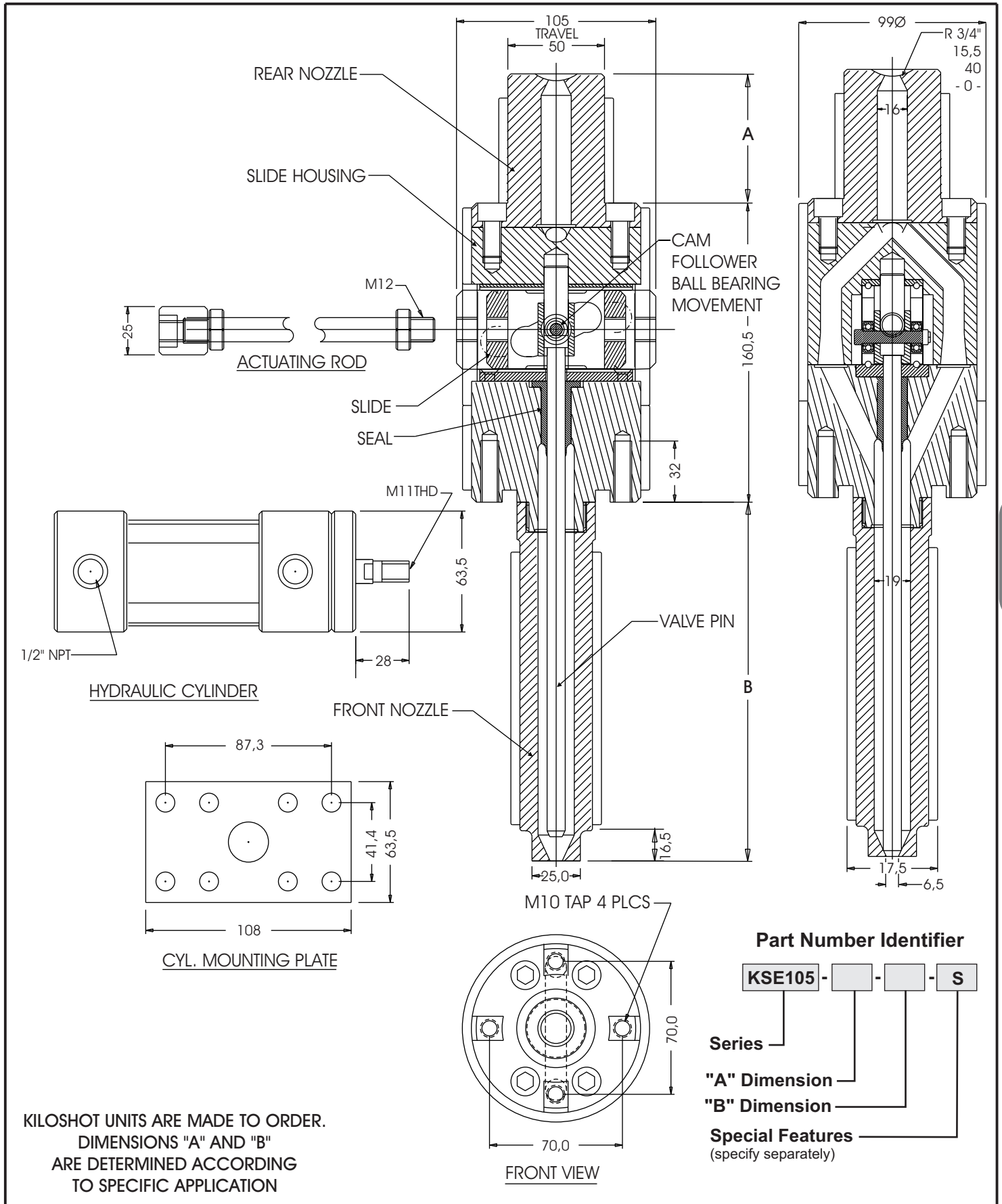
VALVE GATE SYSTEMS



The **ORYCON KILOSHOT Single Nozzle Valve Gate** is designed specifically for large volume parts. It offers positive action, long operating life, simple installation, simple maintenance and low initial cost.

FEATURES:

- **Hydraulic or Pneumatic Operation** - The cylinder's location can be chosen by the mold designer to avoid overheating and interference with other mold components. The cylinders can also be mounted to the exterior surfaces of the mold.
- **Locking Mechanism** - The movement uses ball bearings and a cam rather than a pivot, it latches at the end of each stroke, in open and in closed positions. The function of the cylinder is only to open and close the valve and not to overcome the injection and holding pressures.
- **Gas-Assist Capable** - Due to the positive locking design, the KILOSHOT is not affected by the very high pressures typical of gas-assist applications, which would tend to push resin back into the nozzle.
- **Convenience of Assembly** - The end of the actuating rod is provided with a quick disconnect to allow easy removal of the cylinder for ease of mold set-up and transportation.



KILOSHOT UNITS ARE MADE TO ORDER.
 DIMENSIONS "A" AND "B"
 ARE DETERMINED ACCORDING
 TO SPECIFIC APPLICATION

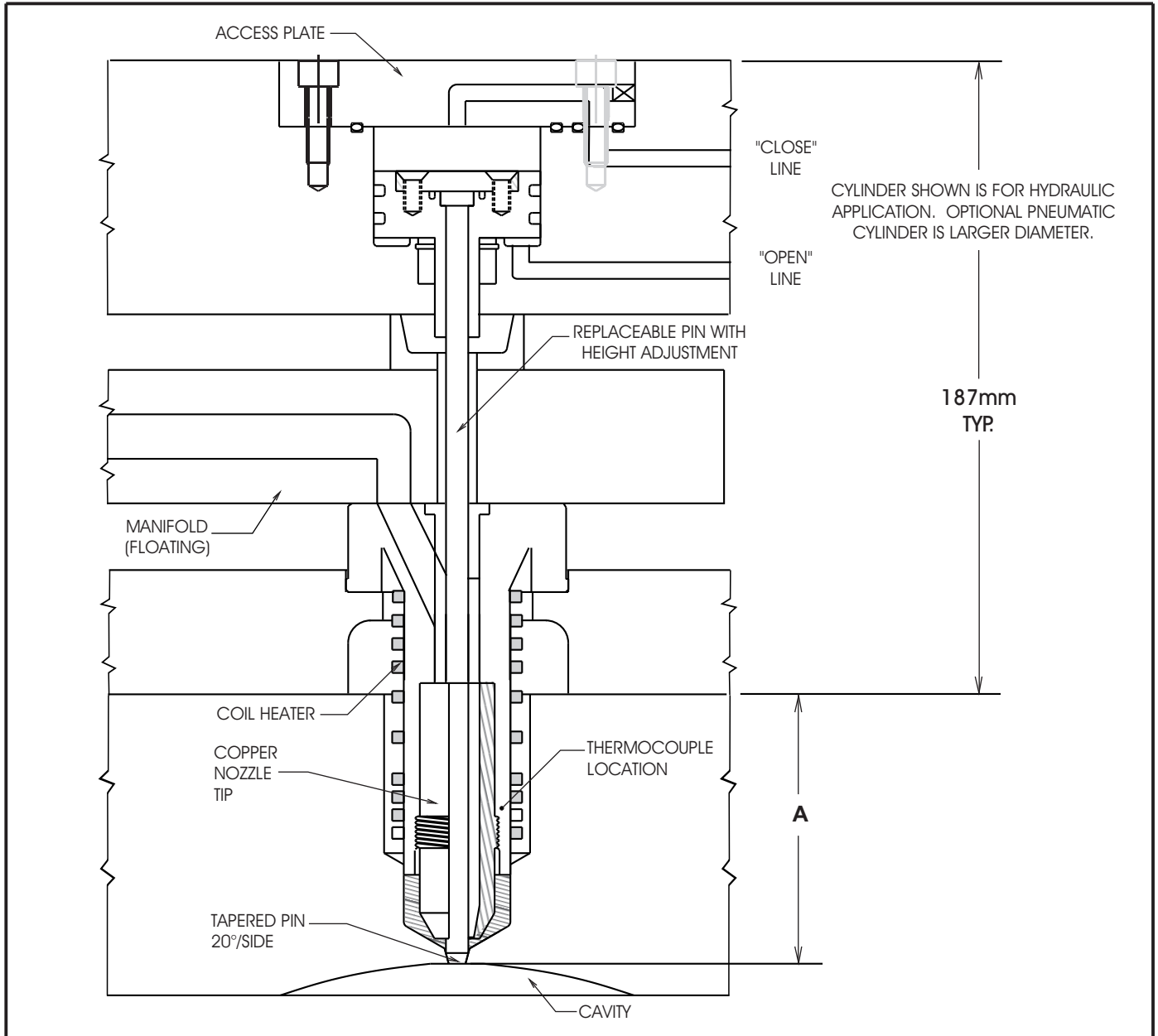
Part Number Identifier

KSE105 - [] - [] - **S**

Series ——— |
"A" Dimension ——— |
"B" Dimension ——— |
Special Features (specify separately) ——— |

Valve Gate
Systems

VALVE GATING HEATED BUSHING AND CYLINDER



"A" DIMENSION AVAILABLE: (mm)

50 - 65 - 80 - 95 - 105 - 120
(Other sizes available with longer delivery times.)

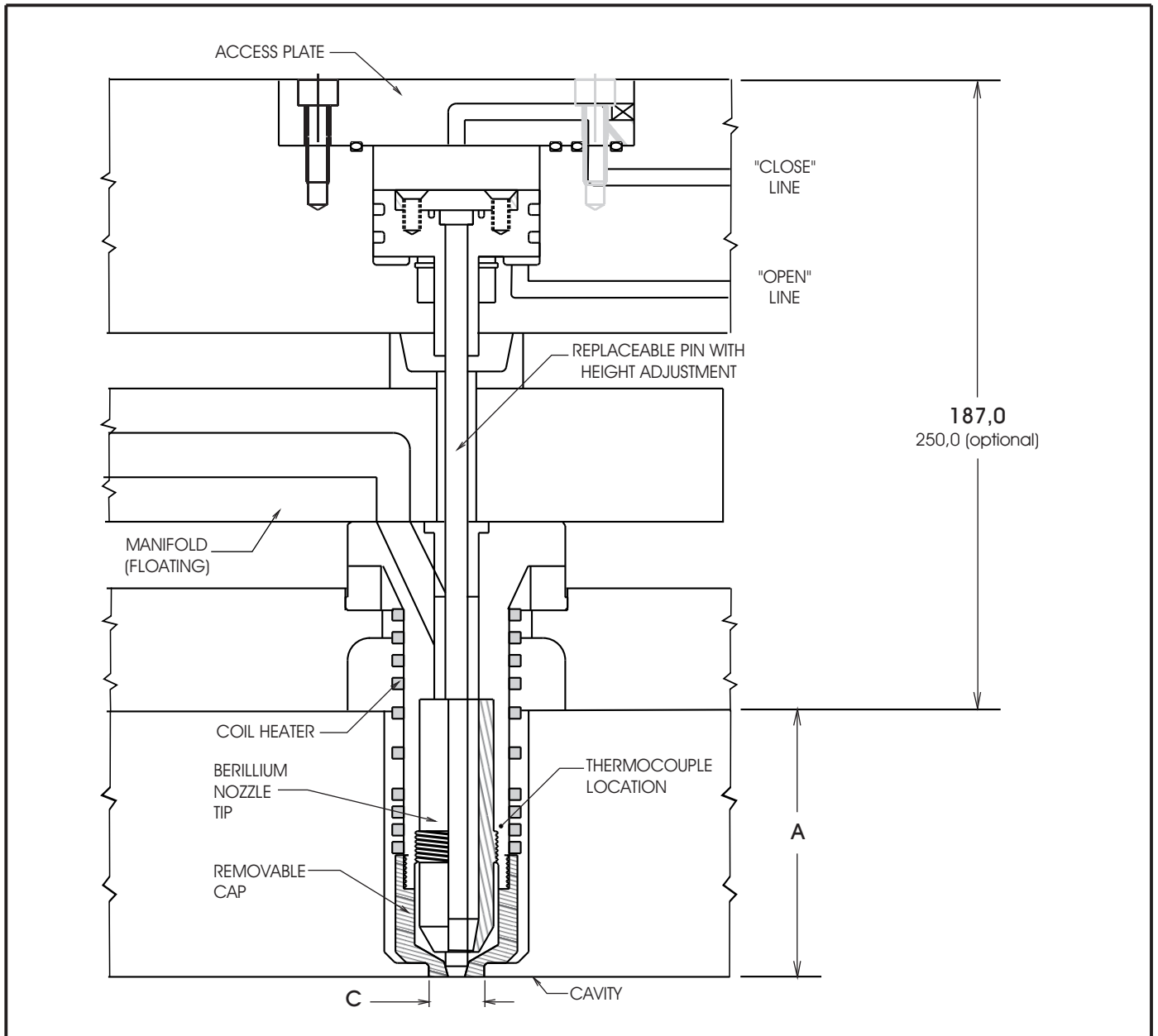
REPLACEMENT THERMOCOUPLES: (TYPE "J")
ALL SIZES, CATALOG NO .OCT-025-14

REPLACEMENT HEATERS:
Add "H" before CATALOG NO. Example: H-TF2-VGC-50

TO ORDER PLEASE SPECIFY

TYPE — **TF2-VGC** - **50**
"A" DIAMETER —

VALVE GATING HEATED BUSHING AND CYLINDER



"A" DIM (mm)	"B" DIM (mm)	"C" DIM (mm)
100,0	187,0	12,0
112,5	187,0	12,0
125,0	187,0	14,0
150,0	187,0	14,0
152,5	250,0	16,0
175,0	250,0	16,0

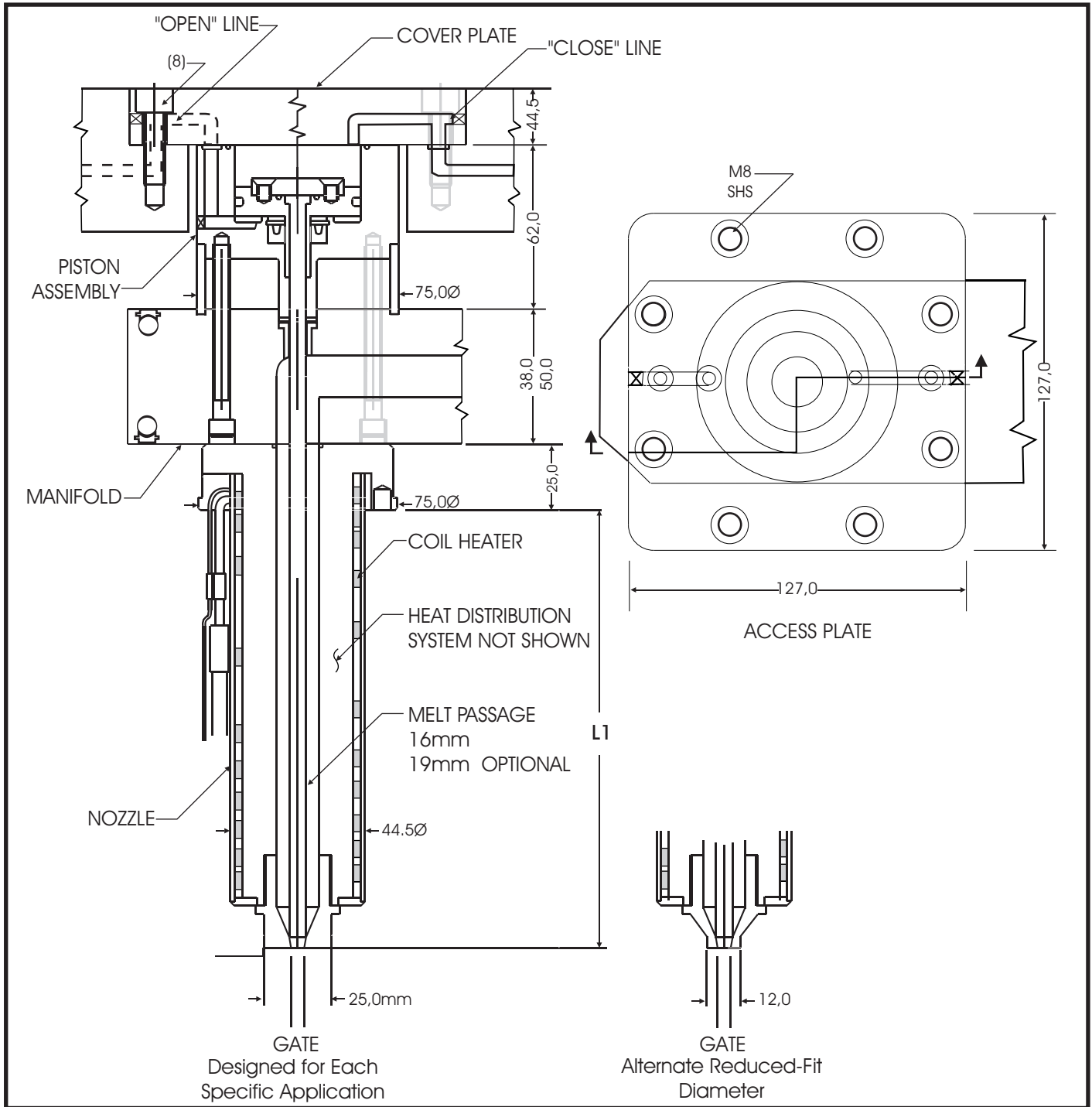
(Other sizes available with longer delivery times.)

REPLACEMENT THERMOCOUPLES: (TYPE "J")
ALL SIZES, CATALOG NO .OCT-025-14

REPLACEMENT HEATERS:
Add "H" before CATALOG NO. Example: H-TF2-VGC-100,0

TO ORDER PLEASE SPECIFY

TYPE — **TF2-VGC** - **100,0** - **188,0** - **12,0**
 "A" DIMENSION — **100,0**
 "B" DIMENSION — **188,0**
 "C" DIMENSION — **12,0**



Valve Gate
Systems

NOZZLES

"L1" STANDARD DIMENSIONS:

150, 170, 190, 210, 230, 250, 270, 290, 310, 330, 350, 370, 390, 410
(Other sizes available with longer delivery times.)

PRICES AND SPECIFICATIONS ARE SUBJECT TO CHANGE WITHOUT NOTICE
HEATERS ARE 220V STANDARD

REPLACEMENT THERMOCOUPLES

ALL SIZES
CATALOG NO.
OCT-025-14

ABOVE ARE TYPE "J"

TO ORDER PLEASE SPECIFY

PLEASE PROVIDE DRAWING OF MOLD DESIGN.