



INTEGRALLY CONSTRUCTED TORPEDOES



DG-394



DG-625



DGDS



DR-394



DR-500



DR-750

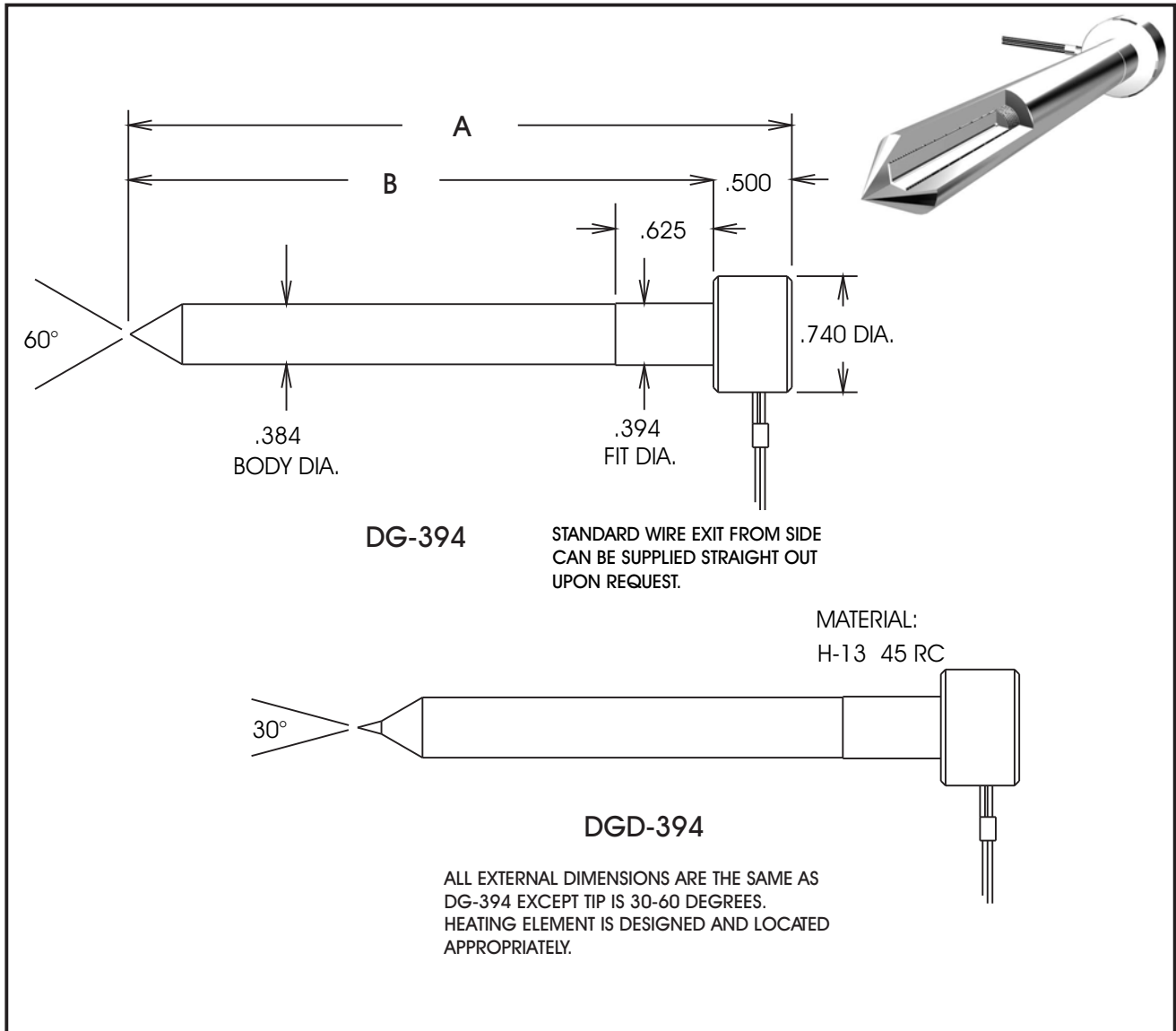


Tunnel Gate



Dedicated To Your Success

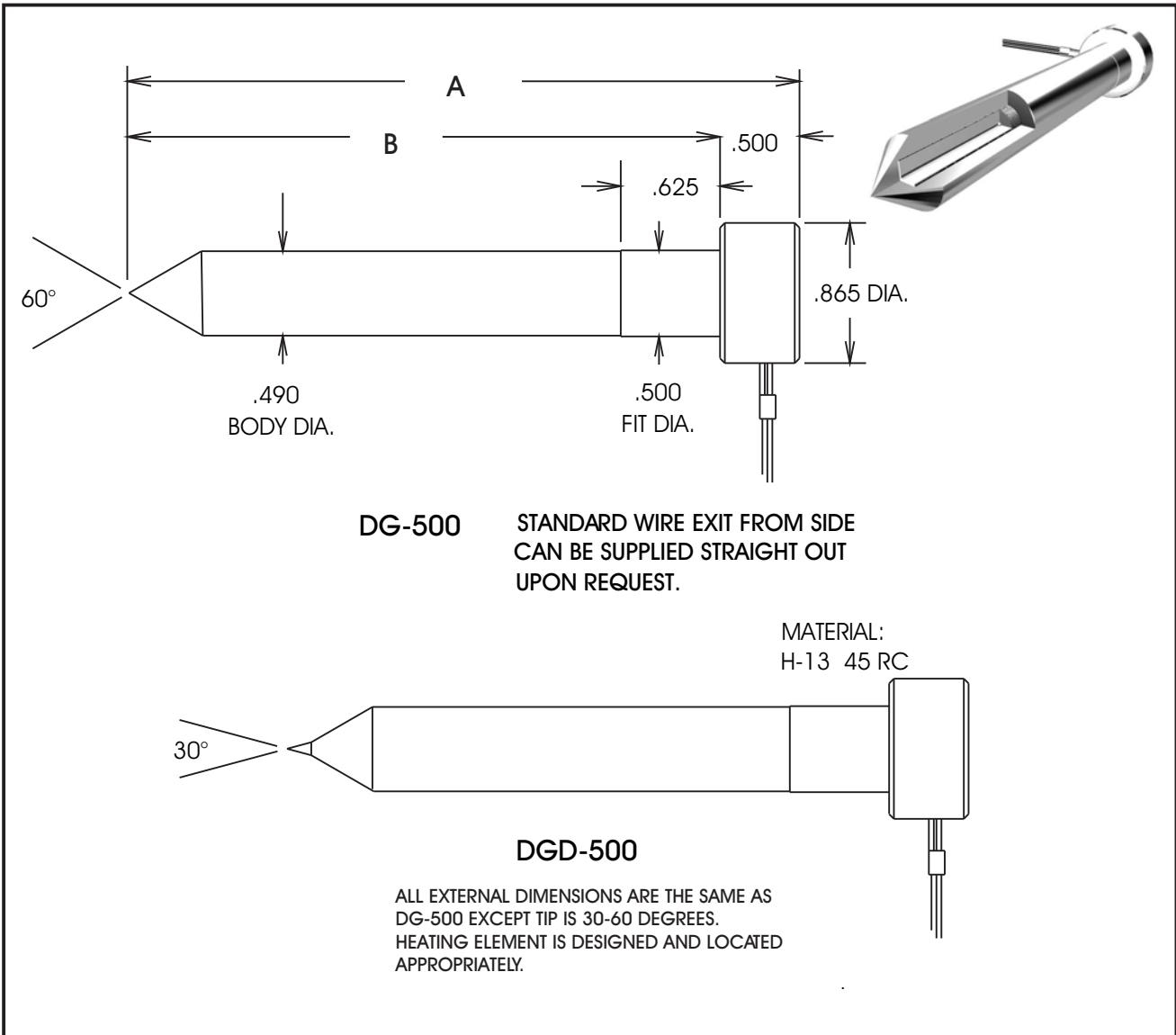
INTEGRALLY CONSTRUCTED TORPEDOES



DG-394 AND DGD-394 STOCK LIST

CATALOG NO. with 60° Tip	CATALOG NO. with 60° - 30° Tip	"A" DIM.	"B" DIM.	WATTS
DG 394-322	DGD394-322	3.220	2.720	135
DG 394-372	DGD394-372	3.720	3.220	160
DG 394-422	DGD394-422	4.220	3.720	185
DG 394-472	DGD394-472	4.720	4.220	210
DG 394-522	DGD394-522	5.220	4.720	235
DG 394-572	DGD394-572	5.720	5.220	260
DG 394-622	DGD394-622	6.220	5.720	285
DG 394-672	DGD394-672	6.720	6.220	310

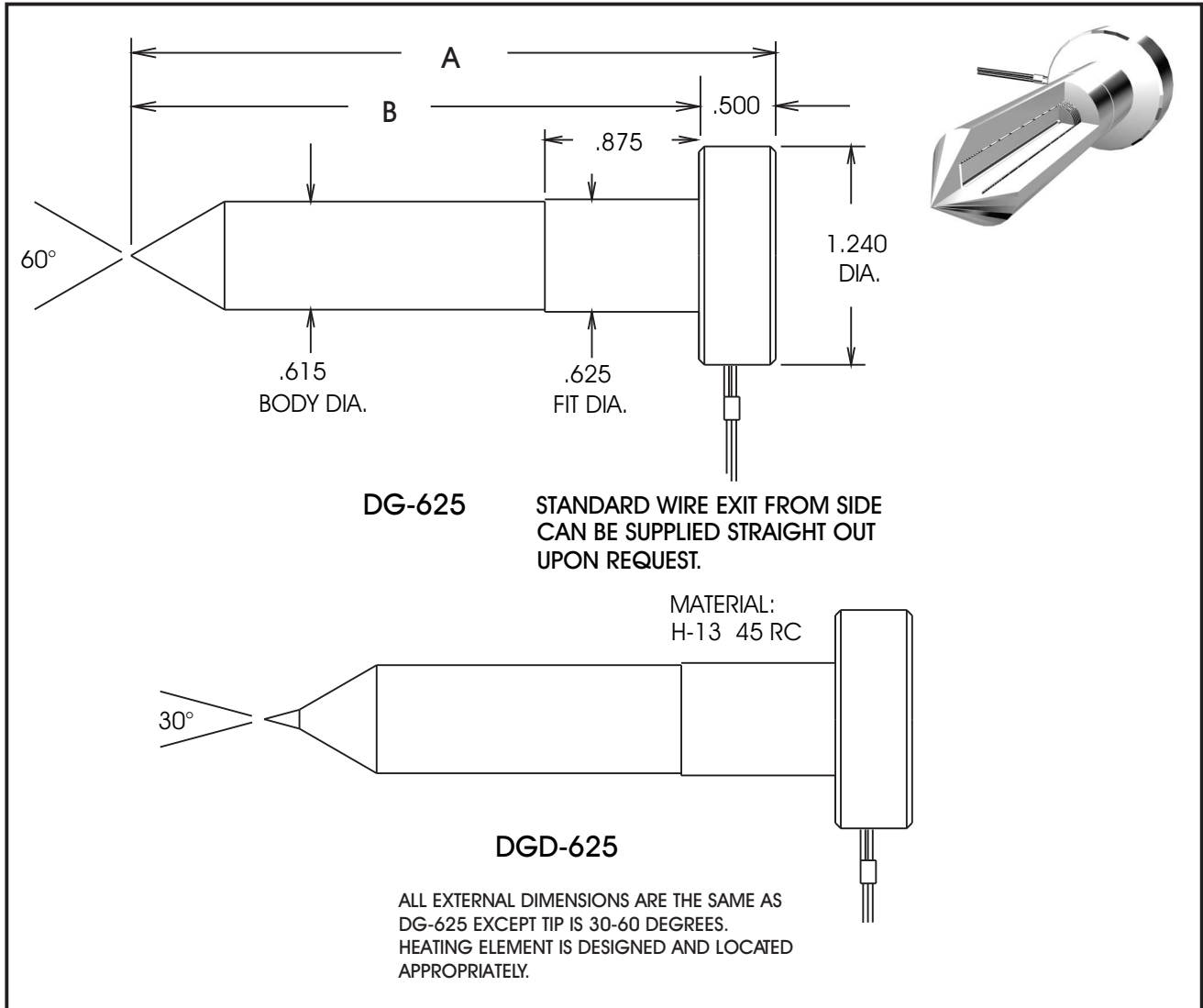
Thermocouples may be ordered to be supplied installed in the torpedo
Special sizes and configurations are available upon request



DG-500 AND DGD-500 STOCK LIST

CATALOG NO. with 60° Tip	CATALOG NO. with 60° - 30° Tip	"A" DIM.	"B" DIM.	WATTS
DG 500-322	DGD500-322	3.220	2.720	170
DG 500-372	DGD500-372	3.720.	3.220	200
DG 500-422	DGD500-422	4.220	3.720.	235
DG 500-472	DGD500-472	4.720.	4.220	265
DG 500-522	DGD500-522	5.220.	4.720.	295
DG 500-572	DGD500-572	5.720	5.220.	330
DG 500-622	DGD500-622	6.220	5.720	360
DG 500-672	DGD500-672	6.720	6.220	390

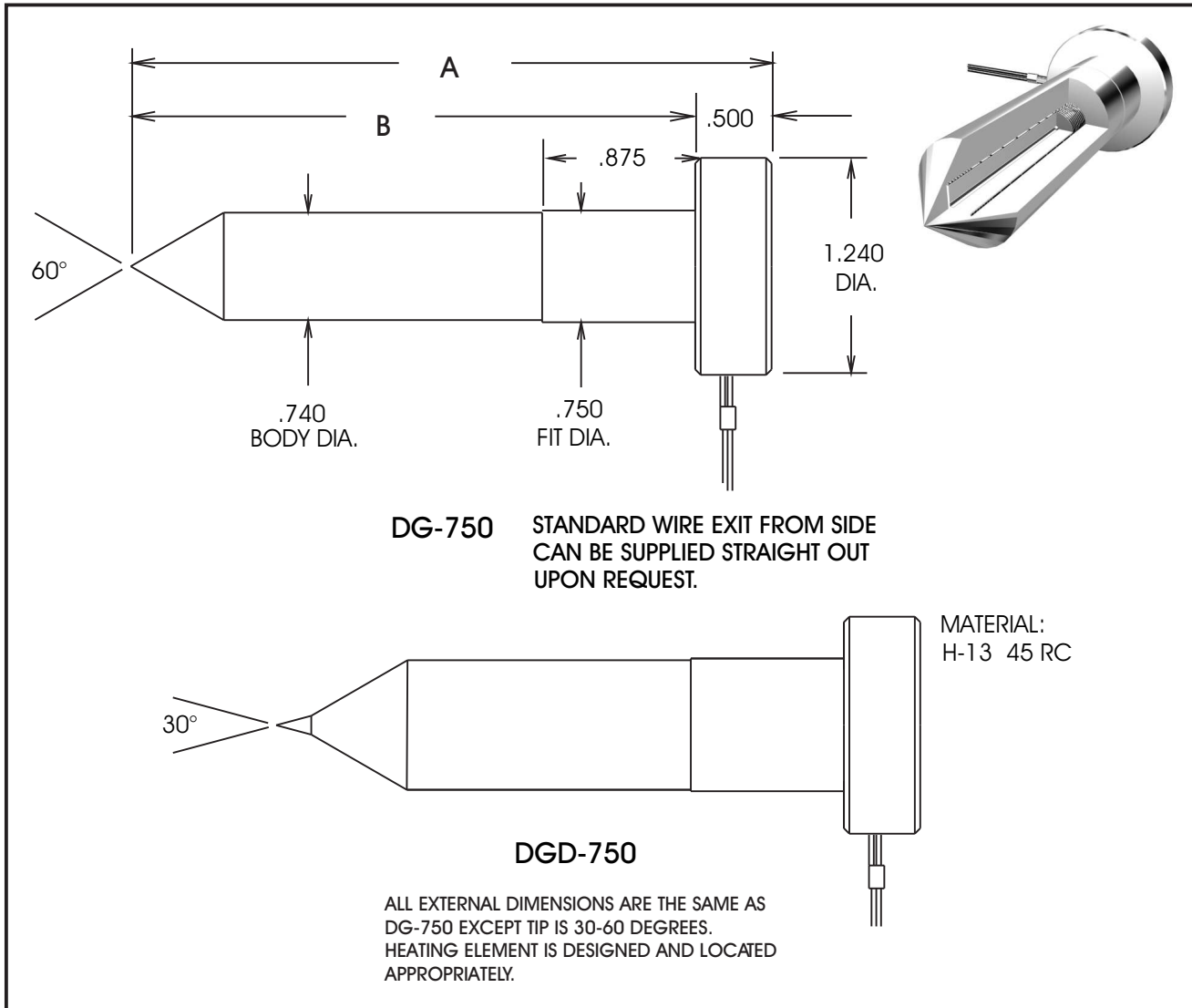
Thermocouples may be ordered to be supplied installed in the torpedo
Special sizes and configurations are available upon request



DG-625 AND DGD-625 STOCK LIST

CATALOG NO. with 60° Tip	CATALOG NO. with 60°- 30° Tip	"A" DIM.	"B" DIM.	WATTS
DG 625-322	DGD625-322	3.220	2.720	215
DG 625-372	DGD625-372	3.720.	3.220	255
DG 625-422	DGD625-422	4.220	3.720.	290
DG 625-472	DGD625-472	4.720.	4.220	330
DG 625-522	DGD625-522	5.220.	4.720.	370
DG 625-572	DGD625-572	5.720	5.220.	410
DG 625-622	DGD625-622	6.220	5.720	450
DG 625-672	DGD625-672	6.720	6.220	490
DG 625-722	DGD625-722	7.220	6.720	530
DG 625-772	DGD625-772	7.720	7.220	565

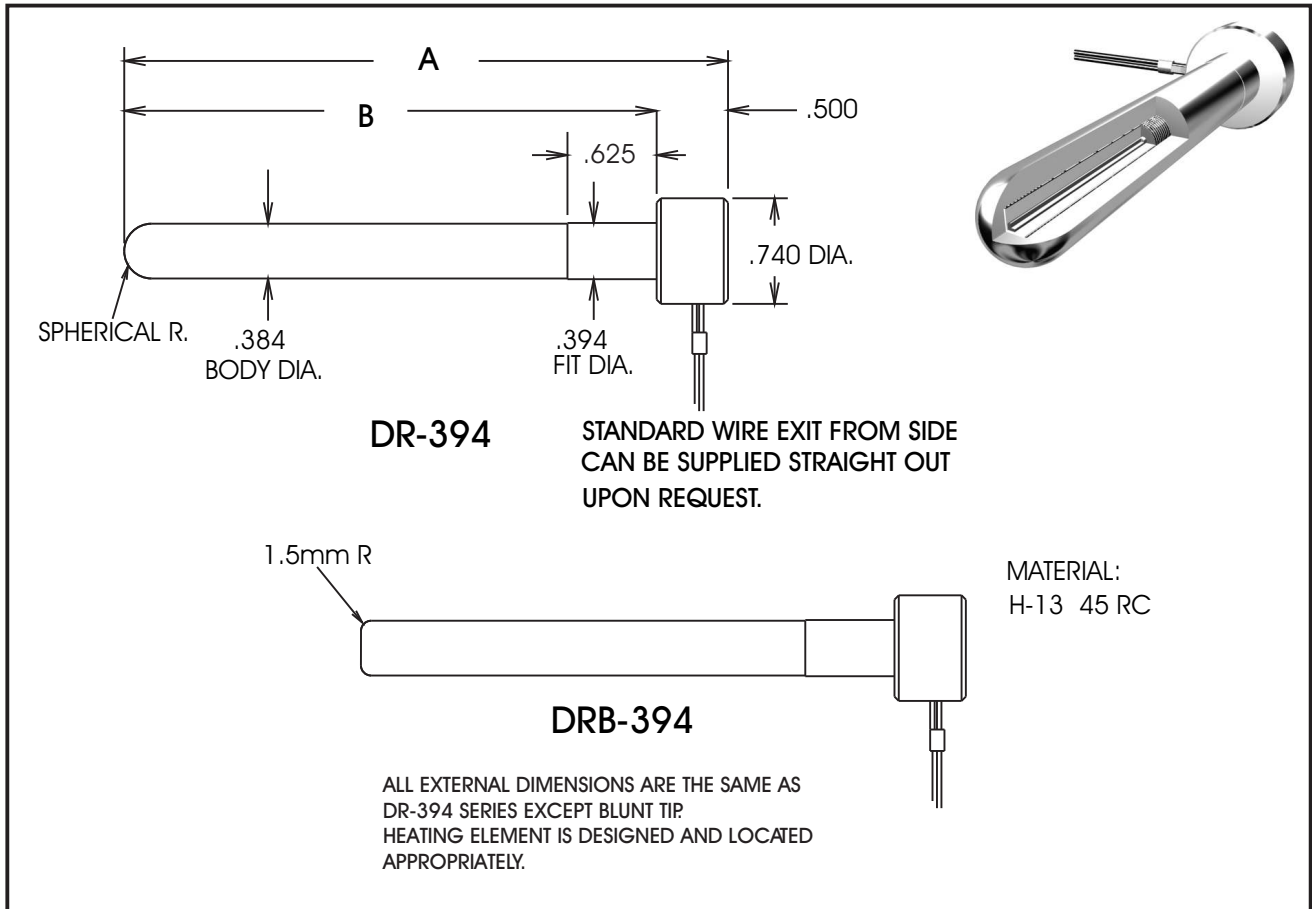
Thermocouples may be ordered to be supplied installed in the torpedo
Special sizes and configurations are available upon request



DG-750 AND DGD-750 STOCK LIST

CATALOG NO. with 60° Tip	CATALOG NO. with 60°- 30° Tip	"A" DIM.	"B" DIM.	WATTS
DG 750-322	DGD750-322	3.220	2.720	255
DG 750-372	DGD750-372	3.720.	3.220	305
DG 750-422	DGD750-422	4.220	3.720.	350
DG 750-472	DGD750-472	4.720.	4.220	400
DG 750-522	DGD750-522	5.220.	4.720.	445
DG 750-572	DGD750-572	5.720	5.220.	490
DG 750-622	DGD750-622	6.220	5.720	540
DG 750-672	DGD750-672	6.720	6.220	585
DG 750-722	DGD750-722	7.220	6.720	635
DG 750-772	DGD750-772	7.720	7.220	680

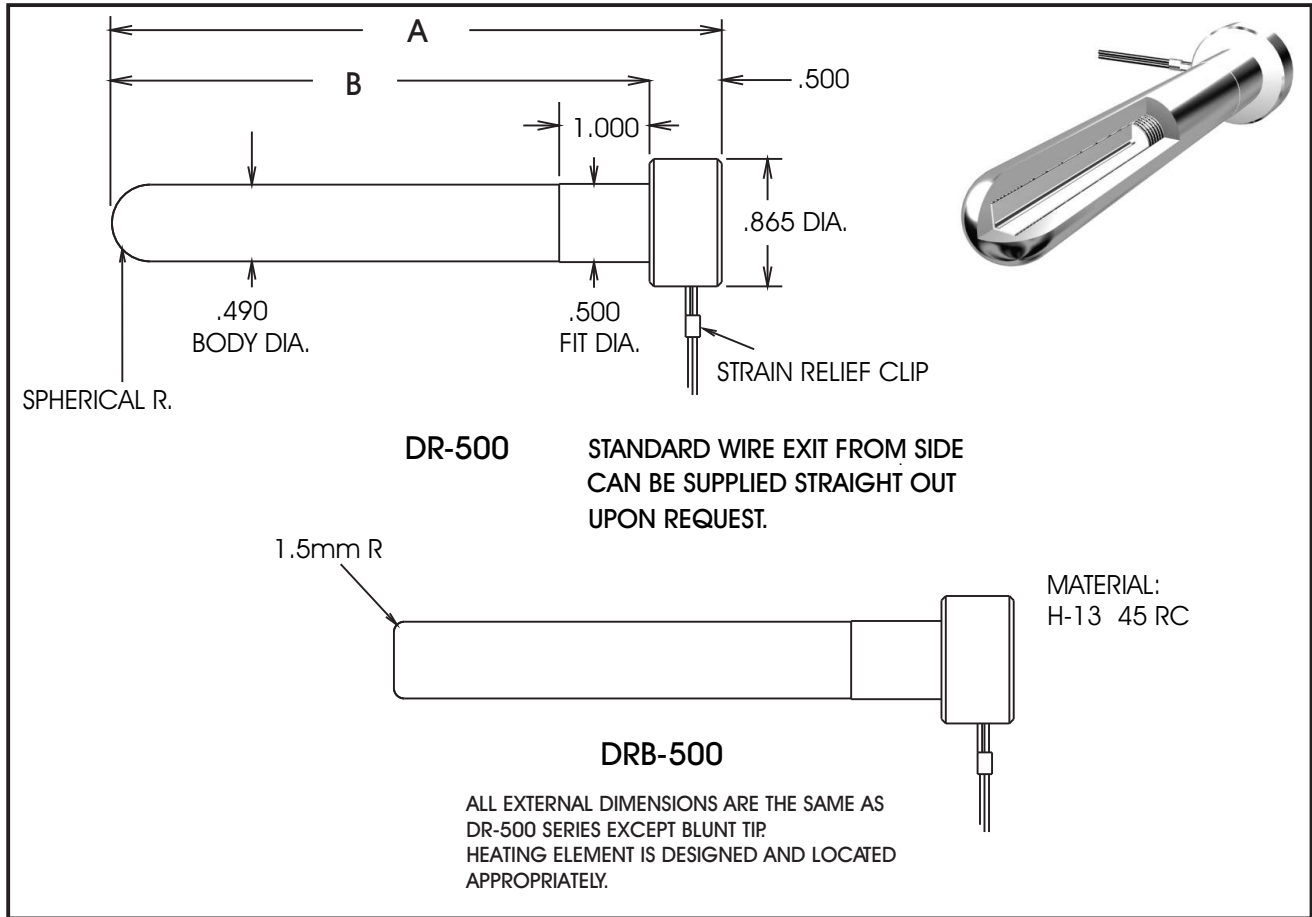
Thermocouples may be ordered to be supplied installed in the torpedo
Special sizes and configurations are available upon request



DR-394 AND DRB-394 STOCK LIST

CATALOG NO. Spherical Tip	CATALOG NO. Blunt Tip	"A" DIM.	"B" DIM.	WATTS
DR394-50	DRB394-50	5.00	4.50	270
DR394-55	DRB394-55	5.50	5.00	295
DR394-60	DRB394-60	6.00	5.50	320
DR394-65	DRB394-65	6.50	6.00	345
DR394-70	DRB394-70	7.00	6.50	370
DR394-75	DRB394-75	7.50	7.00	395
DR394-80	DRB394-80	8.00	7.50	420
DR394-85	DRB394-85	8.50	8.00	445
DR394-90	DRB394-90	9.00	8.50	470
DR394-95	DRB394-95	9.50	9.00	495
DR394-100	DRB394-100	10.00	9.50	520
DR394-110	DRB394-110	11.00	10.50	570
DR394-120	DRB394-120	12.00	11.50	620

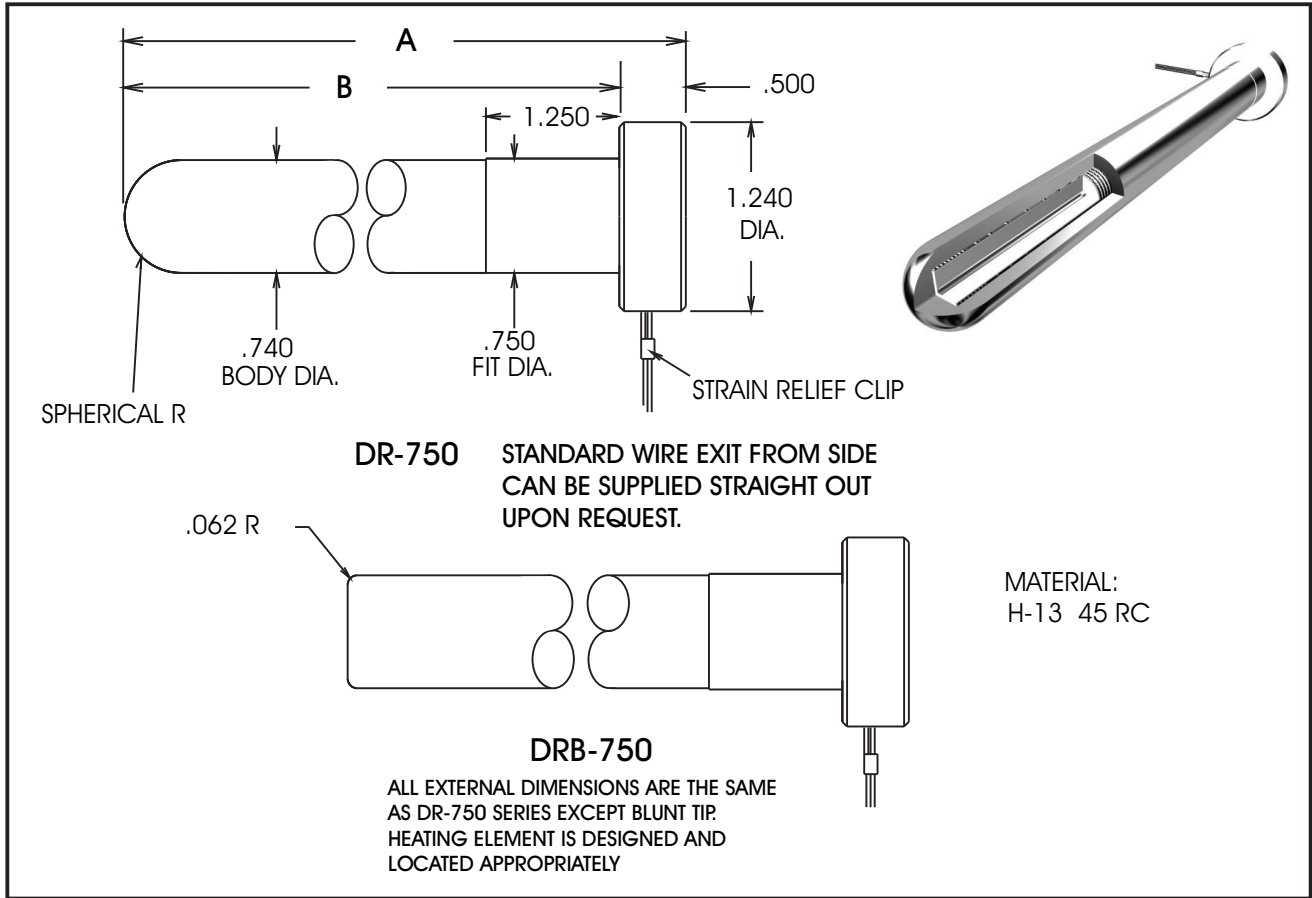
Thermocouples may be ordered to be supplied installed in the torpedo
Special sizes and configurations are available upon request



DR-500 AND DRB-500 STOCK LIST

CATALOG NO. Spherical Tip	CATALOG NO. Blunt Tip	"A" DIM.	"B" DIM.	WATTS
DR500-50	DRB500-50	5.00	4.50	345
DR500-55	DRB500-55	5.50	5.00	375
DR500-60	DRB500-60	6.00	5.50	410
DR500-65	DRB500-65	6.50	6.00	440
DR500-70	DRB500-70	7.00	6.50	470
DR500-75	DRB500-75	7.50	7.00	505
DR500-80	DRB500-80	8.00	7.50	535
DR500-85	DRB500-85	8.50	8.00	565
DR500-90	DRB500-90	9.00	8.50	595
DR500-95	DRB500-95	9.50	9.00	630
DR500-100	DRB500-100	10.00	9.50	660
DR500-110	DRB500-110	11.00	10.50	725
DR500-120	DRB394-120	12.00	11.50	785
DR500-130	DRB500-130	13.00	12.50	850
DR500-140	DRB500-140	14.00	13.50	910

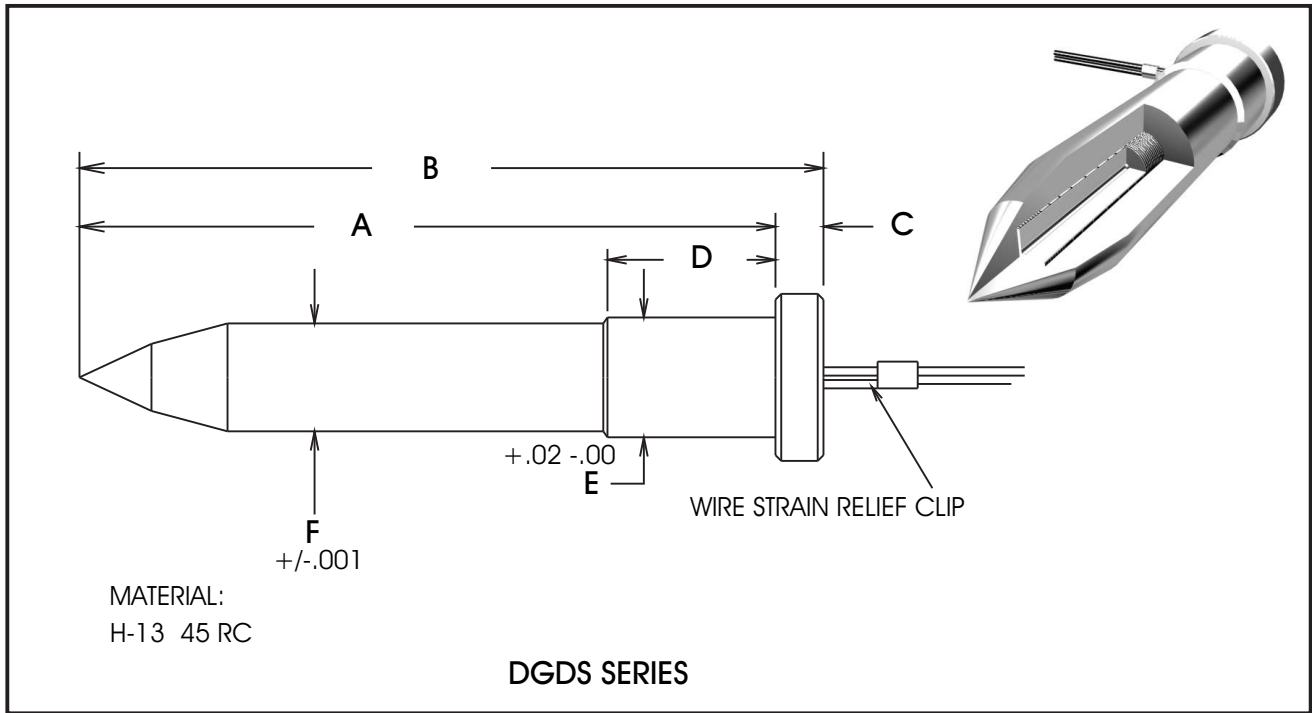
Thermocouples may be ordered to be supplied installed in the torpedo
Special sizes and configurations are available upon request



DR-750 AND DRB-750 STOCK LIST

CATALOG NO. Spherical Tip	CATALOG NO. Blunt Tip	"A" DIM.	"B" DIM.	WATTS
DR750-50	DRB750-50	5.00	4.50	520
DR750-55	DRB750-55	5.50	5.00	565
DR750-60	DRB750-60	6.00	5.50	615
DR750-65	DRB750-65	6.50	6.00	660
DR750-70	DRB750-70	7.00	6.50	705
DR750-75	DRB750-75	7.50	7.00	755
DR750-80	DRB750-80	8.00	7.50	800
DR750-85	DRB750-85	8.50	8.00	850
DR750-90	DRB750-90	9.00	8.50	895
DR750-95	DRB750-95	9.50	9.00	940
DR750-100	DRB750-100	10.00	9.50	990
DR750-110	DRB750-110	11.00	10.50	1085
DR750-120	DRB750-120	12.00	11.50	1180
DR750-130	DRB750-130	13.00	12.50	1270
DR750-140	DRB750-140	14.00	13.50	1365

Thermocouples may be ordered to be supplied installed in the torpedo
Special sizes and configurations are available upon request



The DGDS Series torpedoes are designed to be interchangeable with competing torpedoes that use a separate cartridge heater, in applications where superior control and heat uniformity are required. Hardened H-13 construction allows these torpedoes to retain their temperature when used with resins requiring above average running temperatures. The integral heating element allows zoning of the watt-density in proportions that are impossible to obtain in a cartridge heater design.

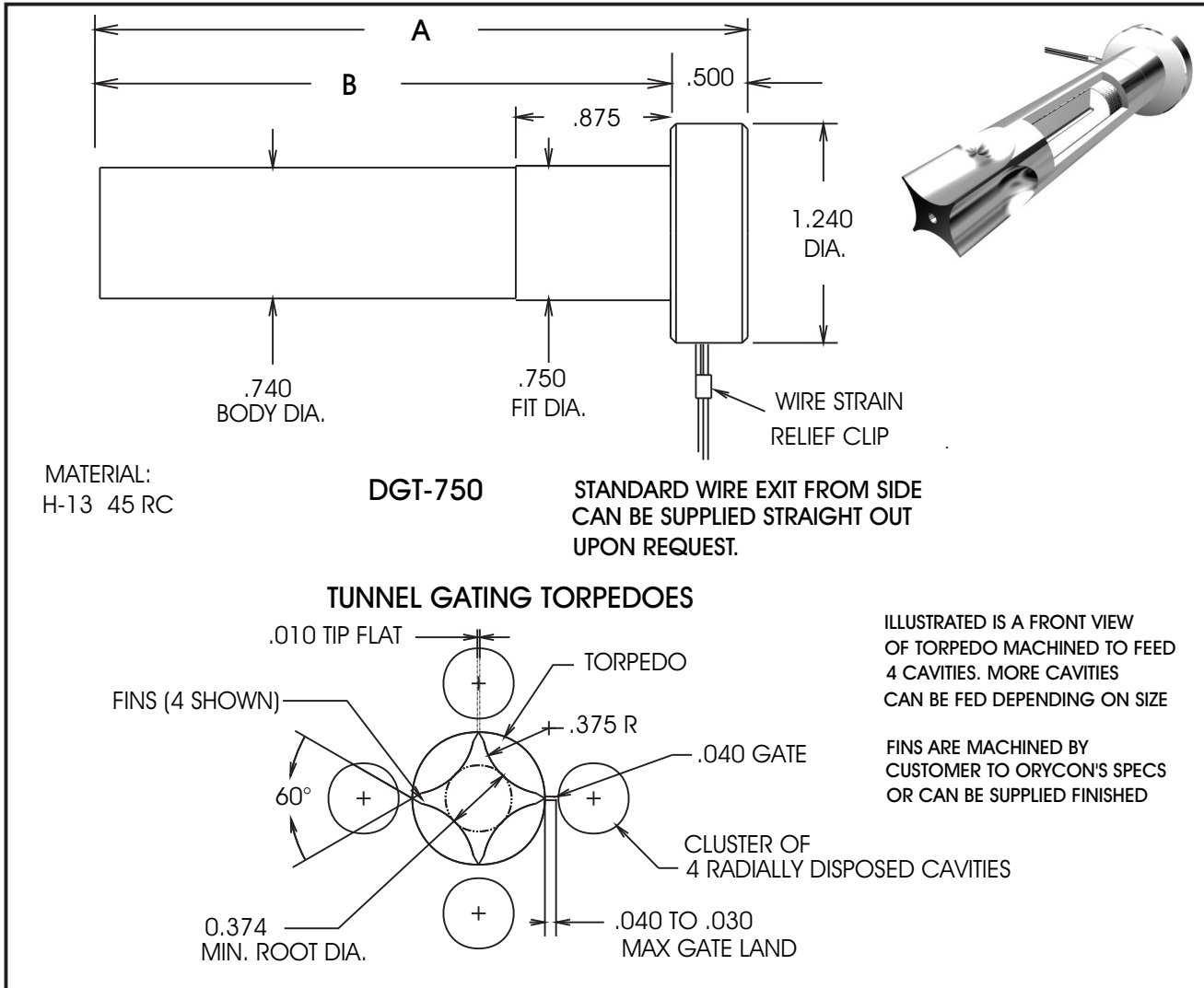
The thicker wall cross-section allows a higher degree of compaction of the insulating materials, resulting in higher dielectric strength, more efficient heat transfer from the coils to the body and a higher resistance to moisture.

Life expectancy of these torpedoes is several times that of units employing cartridge heaters. For additional details call ORYCON.

DGDS SERIES STOCK LIST

CATALOG NO.	"A" DIM.	"B" DIM.	"C" DIM.	"D" DIM.	"E" DIM.	"F" DIM.
DGDS-310	2.693	3.148	.250	.875	.625	.562
DGDS-410	3.625	3.875	.250	.875	.625	.562
DGDS-510	4.625	4.875	.250	.875	.625	.562
DGDS-610	5.609	5.859	.250	.875	.625	.562
DGDS-720	7.000	7.375	.375	1.500	.750	.687
DGDS-820	8.000	8.375	.375	1.500	.750	.687
DGDS-920	9.000	9.375	.375	1.500	.750	.687
DGDS-1020	10.000	10.375	.375	1.500	.750	.687

Thermocouples may be ordered to be supplied installed in the torpedo
Special sizes and configurations are available upon request

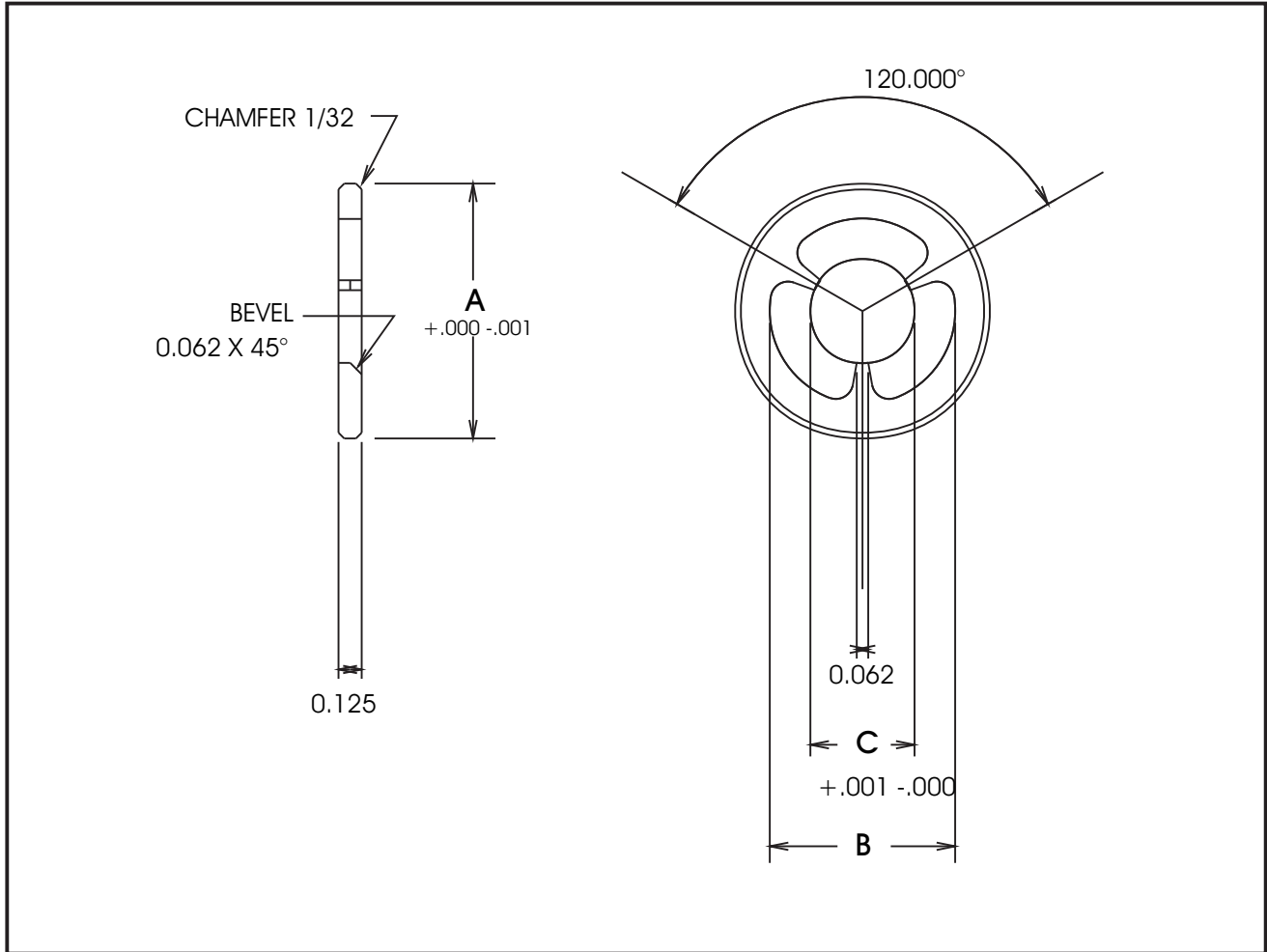


DGT-750 STOCK LIST

CATALOG NO.	"A" DIM.	"B" DIM.	WATTS
DGT750-322	3.220	2.720	255
DGT750-372	3.720	3.220	305
DGT750-422	4.220	3.720	350
DGT750-472	4.720	4.220	400
DGT750-522	5.220	4.720	445
DGT750-572	5.720	5.220	490
DGT750-622	6.220	5.720	540
DGT750-672	6.720	6.220	585
DGT750-722	7.220	6.720	635
DGT750-772	7.720	7.220	680

Thermocouples may be ordered to be supplied installed in the torpedo
 Special sizes and configurations are available upon request

FIN WASHERS For Torpedo Stabilizing



CATALOG NO.	A	B	C	FOR USE WITH
FW-106-394	1.062	.865	.385	DG-394 SERIES
FW-118-490	1.187	.937	.491	DG-500 SERIES
FW-131-615	1.312	1.062	.616	DG-625 SERIES
FW-137-562	1.375	1.000	.562	DGDS-310 TO 610
FW-150-693	1.500	1.125	.693	DGDS-720 TO 1020
FW-150-740	1.500	1.187	.741	DG-750 SERIES

ORYCON CONTROL TECHNOLOGY, INC.

HOT RUNNER SYSTEMS AND COMPONENTS LIMITED WARRANTY

Orycon Control Technology, Inc. warrants its Heated Manifolds, Gating Bushings, Heated Sprue Bushings and Torpedoes to be free of defects in material and workmanship.

In the event that any of the above products is found to be defective or that the heating element of any of the above products *burns out in normal use*, Orycon will repair or replace it, at its option, for the period of one year from the date of delivery, provided that the following conditions are met:

1. The products will have to be used under normal conditions and at the proper voltage.
2. The products will have to be properly installed according to Orycon's recommendations and free of tool marks, or any sign of abuse or alteration by the customer.

The same warranty and conditions apply to Thermocouples whether shipped assembled in the products or individually.

Except for the repair or the replacement of defective products, the sale of these systems and components is made without other warranty of liability, even though defect, damage or loss is caused by negligence or other fault.

No other warranty is expressed or implied.

The purchaser assumes responsibility for the installation, use and operation of the products.

Wear caused by abrasive materials or any other reason is not covered by this warranty, nor are transportation expenses such as those incurred by the return of parts to Orycon.