

**SPRUE BUSHINGS
SINGLE TIP OR MANIFOLD**



BCI2025



BCI25 { 37
43



BCI25-43



BCI30 { 50
62



NCI15-25



NCI20-25

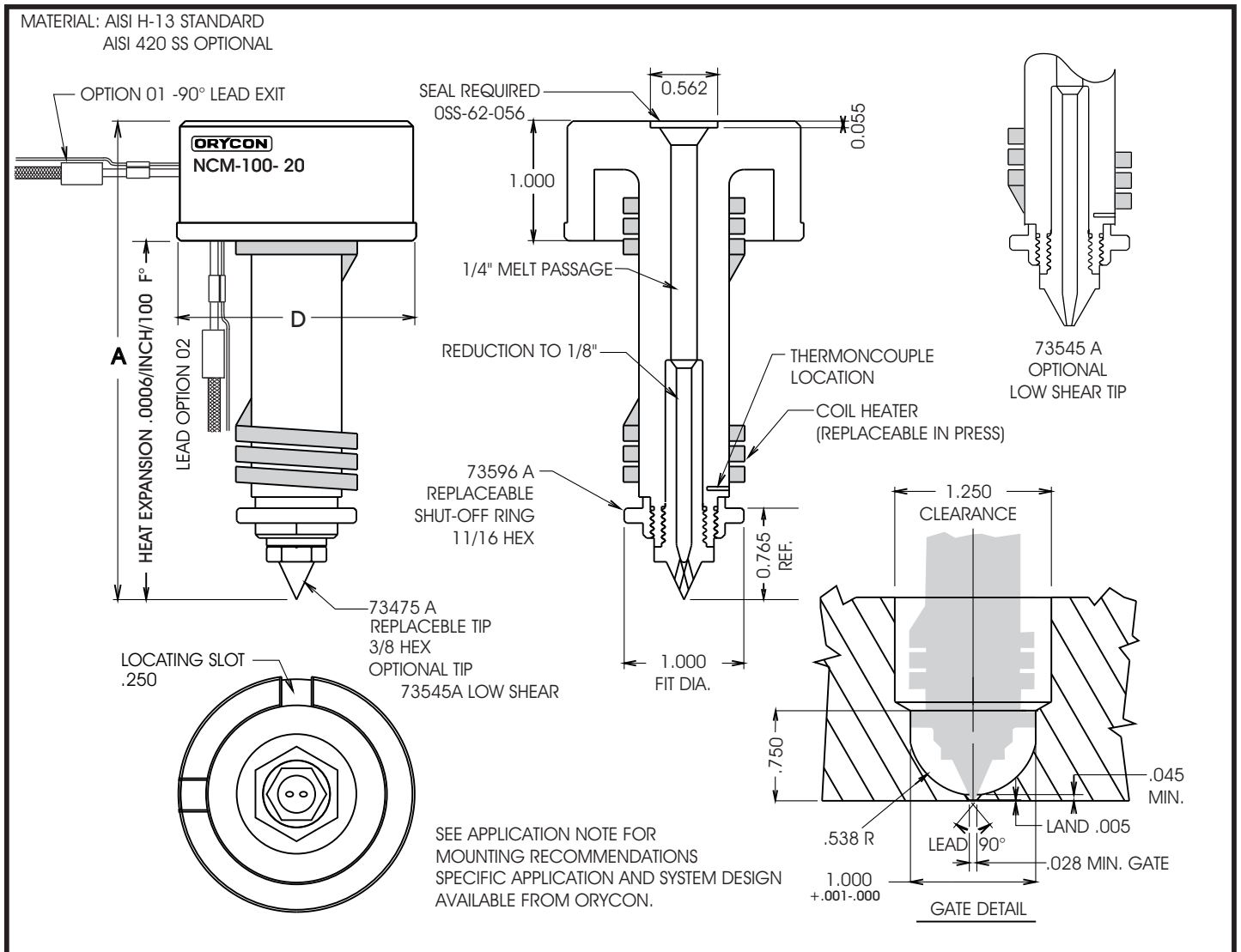


NCI20 { 37
43



NCI3062

**GATING NOZZLES
SINGLE TIP OR MANIFOLD**



Hot Sprue Bushings/
Gating Nozzles

GATING NOZZLES

"A" STANDARD DIMENSIONS:

3.500, 4.000, 4.500, 5.000, 5.500, 6.000, 6.500, 7.000, 7.500
(Other sizes available with longer delivery times.)

PRICES AND SPECIFICATIONS ARE SUBJECT TO CHANGE WITHOUT NOTICE
HEATERS ARE 220V STANDARD

REPLACEMENT THERMOCOUPLES

ALL SIZES
CATALOG NO.
OCT-025-14

ABOVE ARE TYPE "J"

REPLACEMENT HEATERS

ADD "H" BEFORE
NOZZLE'S CATALOG NO.
example:
H-NCM100-20-40-01

TO ORDER PLEASE SPECIFY

TYPE AND FIT DIA.

NCM100 20 - P - 40 - 01

"D" HEAD DIA.
(Example: 20 For 2.000
Optional 15 For 1.500)

TIP
P - Pin Point
L - Low Shear

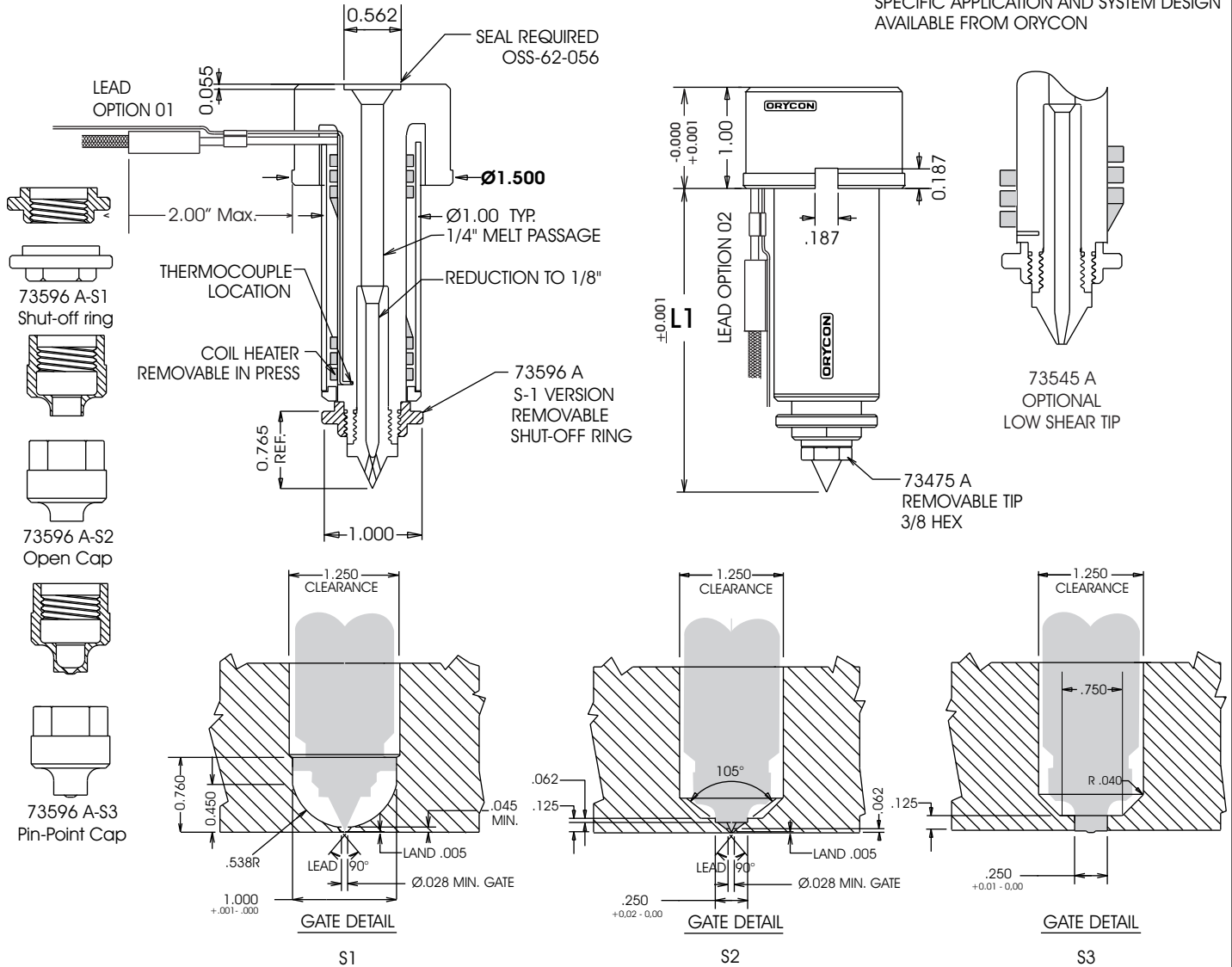
OPTIONS:

01 - 90° LEAD EXIT
02 - AXIAL LEAD EXIT

"A" OVERALL LENGTH
(Example: 40 FOR 4.000)

MATERIAL: AISI H-13 STANDARD
AISI 420 SS OPTIONAL

SEE APPLICATION NOTE FOR
MOUNTING RECOMMENDATIONS
SPECIFIC APPLICATION AND SYSTEM DESIGN
AVAILABLE FROM ORYCON



Hot Sprue
Bushings/
Gating Nozzles

GATING NOZZLES

"L1" STANDARD DIMENSIONS:

2.500, 3.000, 3.500, 4.000, 4.500, 5.000, 5.500, 6.000, 6.500, 7.000, 7.500
(Other sizes available with longer delivery times.)

PRICES AND SPECIFICATIONS ARE SUBJECT TO CHANGE WITHOUT NOTICE
HEATERS ARE 220V STANDARD

REPLACEMENT THERMOCOUPLES

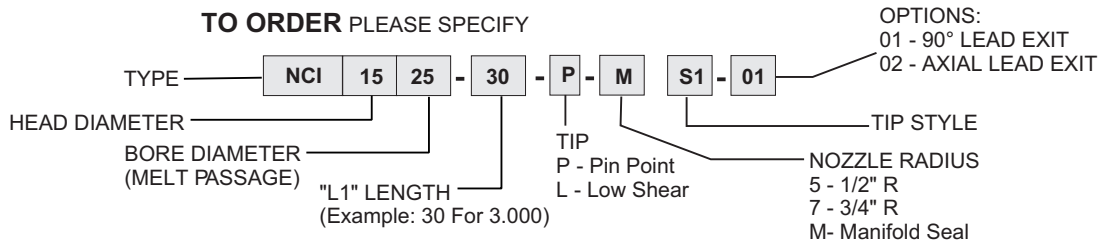
ALL SIZES
CATALOG NO.
OCT-025-14

REPLACEMENT HEATERS

ADD "H" BEFORE
NOZZLE'S CATALOG NO.
example:
H-NCI1525-30MS1-01

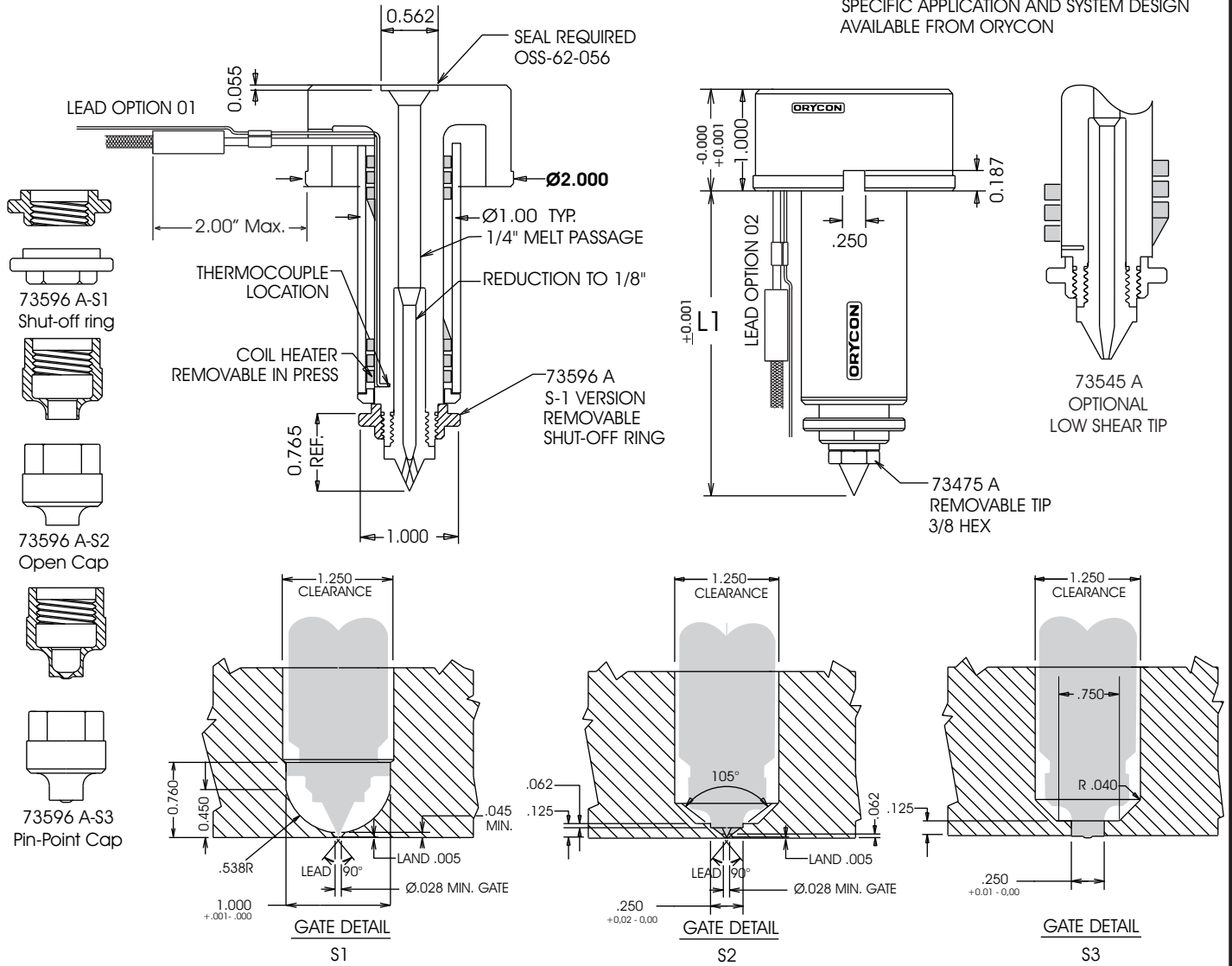
ABOVE ARE TYPE "J"

TO ORDER PLEASE SPECIFY



MATERIAL: AISI H-13 STANDARD
AISI 420 SS OPTIONAL

SEE APPLICATION NOTE FOR
MOUNTING RECOMMENDATIONS
SPECIFIC APPLICATION AND SYSTEM DESIGN
AVAILABLE FROM ORYCON



Hot Sprue
Bushings/
Gating Nozzles

GATING NOZZLES

REPLACEMENT THERMOCOUPLES

REPLACEMENT HEATERS

"L1" STANDARD DIMENSIONS:

2.500, 3.000, 3.500, 4.000, 4.500, 5.000, 5.500, 6.000, 6.500, 7.000, 7.500
(Other sizes available with longer delivery times.)

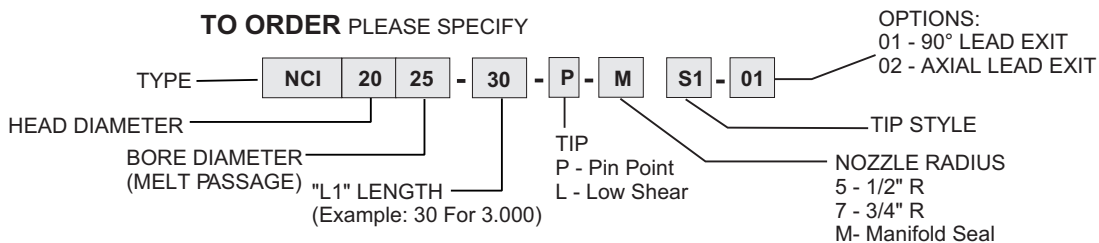
ALL SIZES
CATALOG NO.
OCT-025-14

ADD "H" BEFORE
NOZZLE'S CATALOG NO.
example:
H-NCI2025-30MS1-01

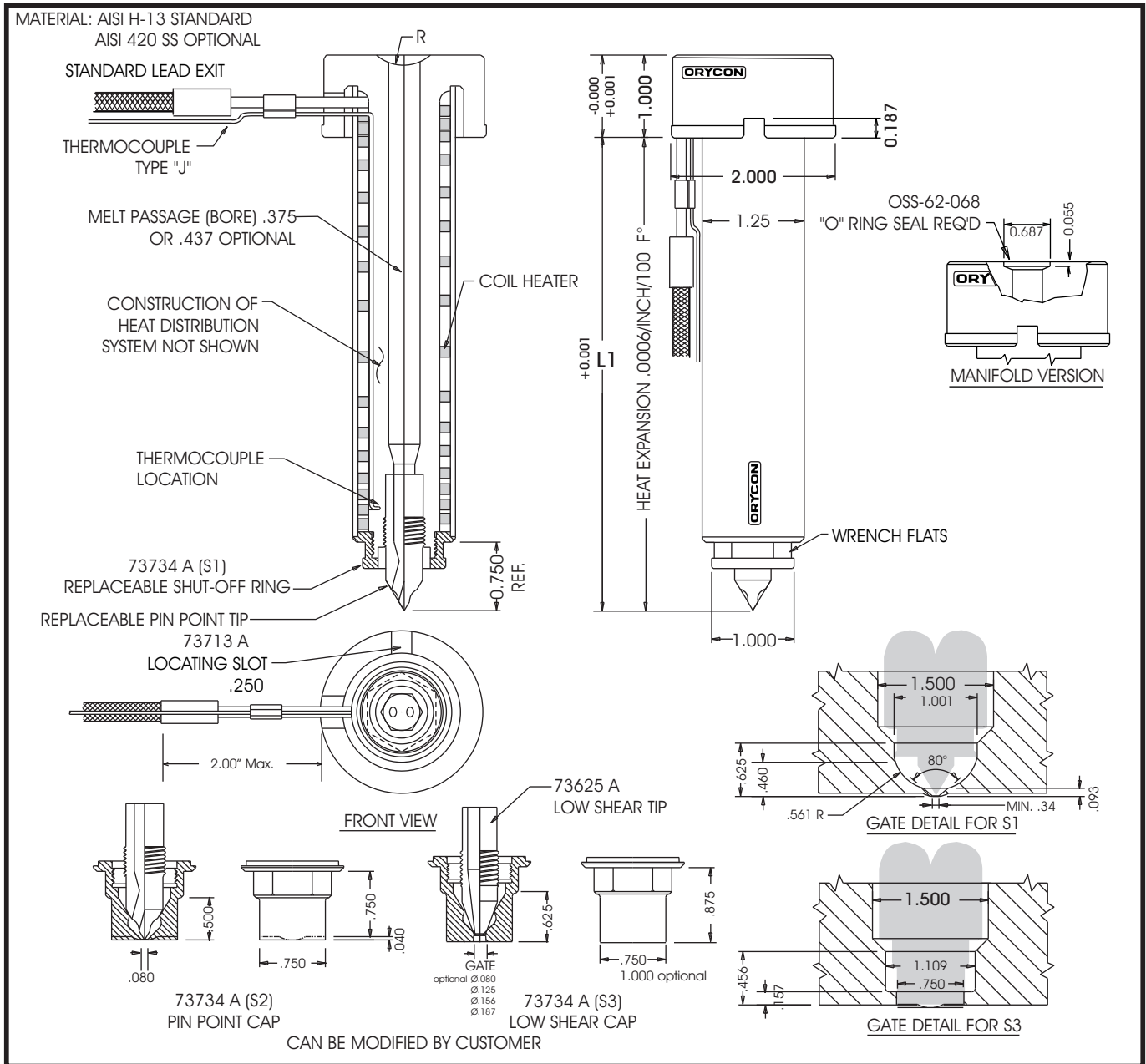
PRICES AND SPECIFICATIONS ARE SUBJECT TO CHANGE WITHOUT NOTICE
HEATERS ARE 220V STANDARD

ABOVE ARE TYPE "J"

TO ORDER PLEASE SPECIFY



FOR DIRECT GATING OF MEDIUM TO LARGE SIZE PARTS



Hot Sprue
Bushings/
Gating Nozzles

GATING BUSHINGS

"L1" STANDARD DIMENSIONS:

2.000, 2.500, 3.000, 3.500, 4.000, 4.500, 5.000, 5.500, 6.000, 6.500, 7.000, 7.500, 8.000, 8.500, 9.000, 9.500, 10.000 (Other sizes available with longer delivery times.)

REPLACEMENT THERMOCOUPLES

ALL SIZES
CATALOG NO.
OCT-025-14

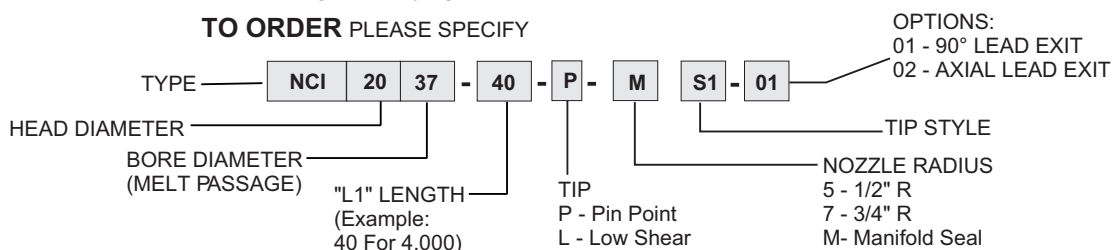
REPLACEMENT HEATERS

ADD "H" BEFORE
NOZZLE'S CATALOG NO.
example:
H-NCI2037-40MS1-01

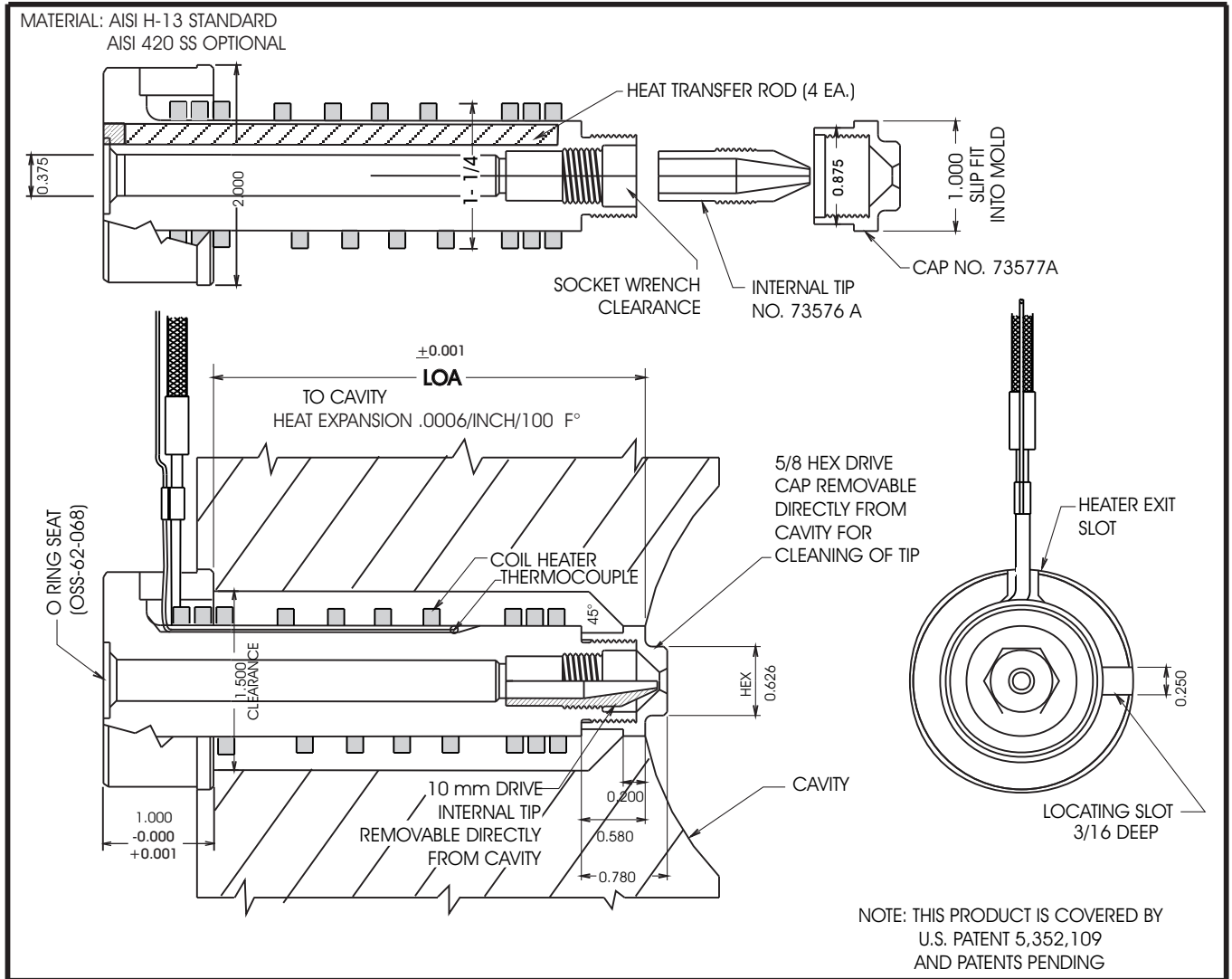
PRICES AND SPECIFICATIONS ARE SUBJECT TO CHANGE WITHOUT NOTICE

HEATERS ARE 220V STANDARD

TO ORDER PLEASE SPECIFY



EASY CLEAN-OUT GATING NOZZLES GTM2 OCM Standard Sizes FOR INJECTION MOLDING OF RE-GROUND RESINS



Hot Sprue Bushings/
Gating Nozzles

The OCM type bushings are designed especially for applications where a high percentage of re-ground resin is used causing gates to clog frequently. By making the tip removable from the cavity, molders can achieve a substantial reduction of down time and tool repair costs.

GATING BUSHINGS

"LOA" STANDARD DIMENSIONS:

2.475, 3.920
(Other sizes available with longer delivery times.)

PRICES AND SPECIFICATIONS ARE SUBJECT TO CHANGE WITHOUT NOTICE

REPLACEMENT THERMOCOUPLES

ALL SIZES
CATALOG NO.
OCT-062-12

ABOVE ARE TYPE "J"

REPLACEMENT HEATERS

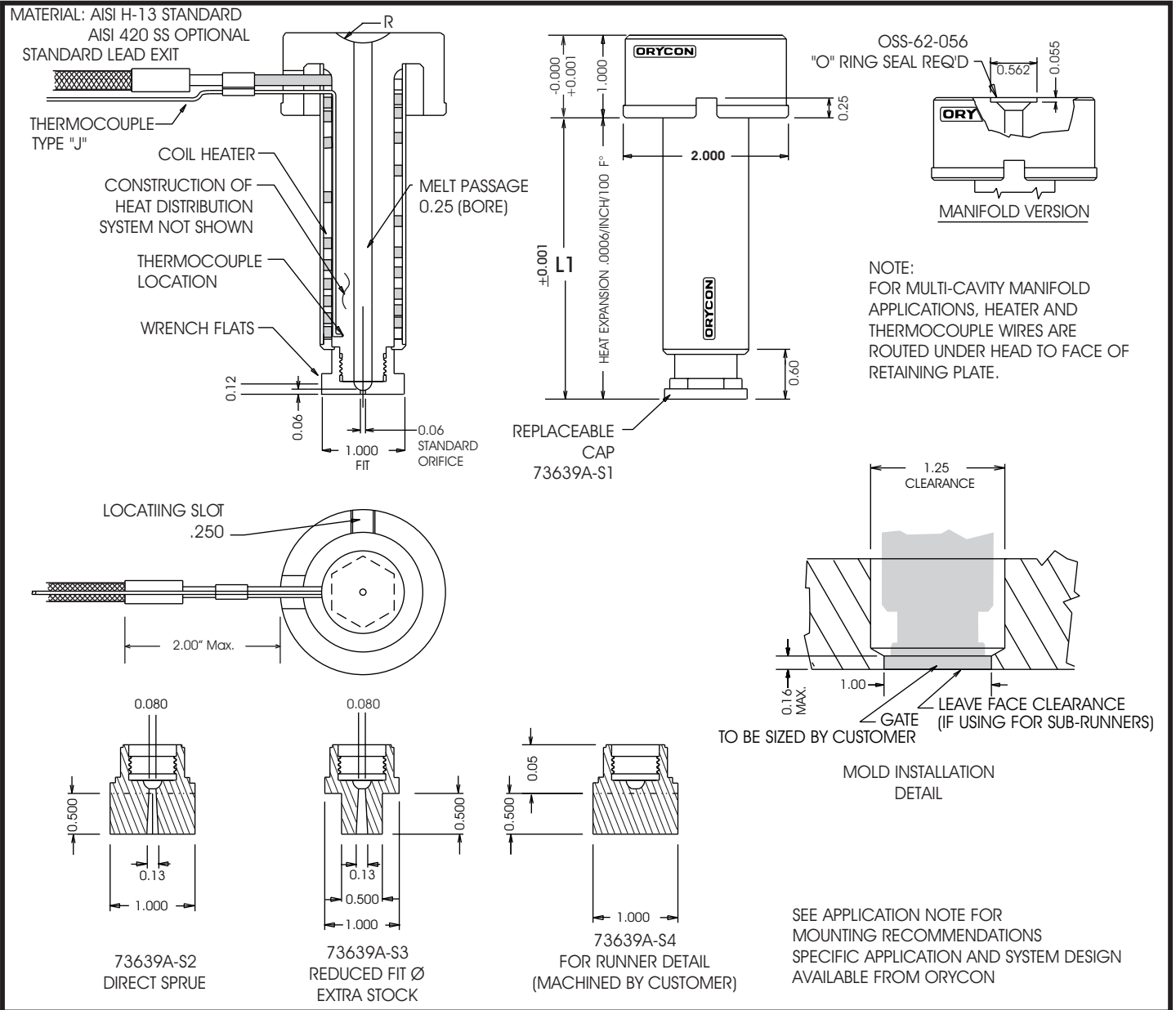
ADD "H" BEFORE
NOZZLE'S CATALOG NO.
example:
H-GTM2110-3.475

TO ORDER PLEASE SPECIFY

TYPE AND SIZE

GTM2110-OCM - 3.475

LOA
(LENGTH OVERALL
ACTUAL)
NOTE: THIS MODEL ONLY



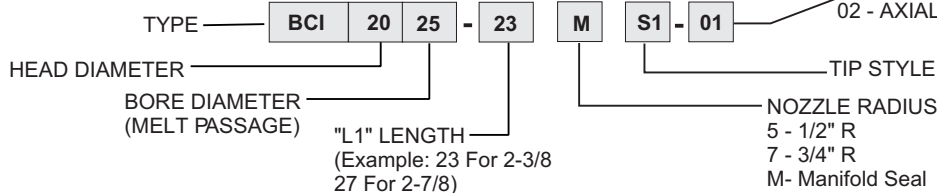
Hot Sprue Bushings/
Gating Nozzles

SPRUE BUSHINGS

"L1" STANDARD DIMENSIONS:
1.875, 2.375, 2.875, 3.375, 3.875, 4.375, 4.875, 5.375, 5.875,
6.375, 6.875, 7.375, 7.875
(Other sizes available with longer delivery times.)

PRICES AND SPECIFICATIONS ARE SUBJECT TO CHANGE WITHOUT NOTICE
HEATERS ARE 220V STANDARD

TO ORDER PLEASE SPECIFY



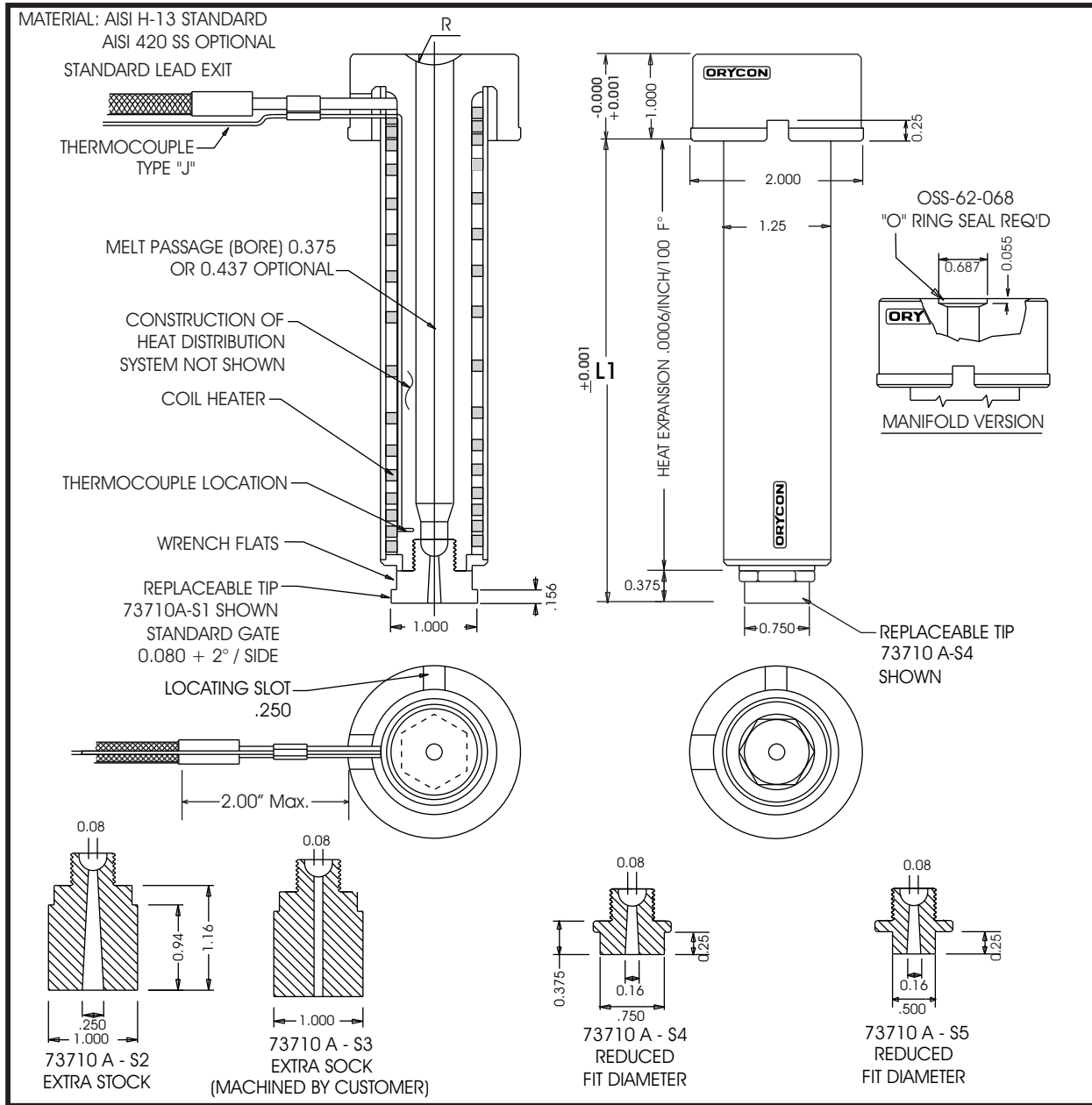
REPLACEMENT THERMOCOUPLES

ALL SIZES
CATALOG NO.
OCT-025-14

REPLACEMENT HEATERS

ADD "H" BEFORE
NOZZLE'S CATALOG NO.
example:
H-BCI2025-23MS1-01

ABOVE ARE TYPE "J"



Hot Sprue
Bushings/
Gating Nozzles

SPRUE BUSHINGS

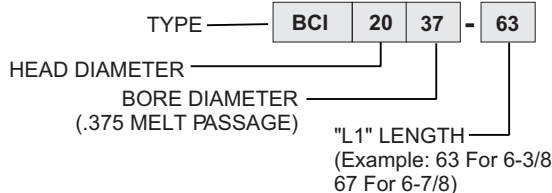
"L1" STANDARD DIMENSIONS:

2.375, 2.875, 3.375, 3.875, 4.375, 4.875, 5.375, 5.875,
6.375, 6.875, 7.375, 7.875, 8.375, 8.875, 9.375
(Other sizes available with longer delivery times.)

PRICES AND SPECIFICATIONS ARE SUBJECT TO CHANGE WITHOUT NOTICE

HEATERS ARE 220V STANDARD

TO ORDER PLEASE SPECIFY



REPLACEMENT THERMOCOUPLES

ALL SIZES
CATALOG NO.
OCT-025-14

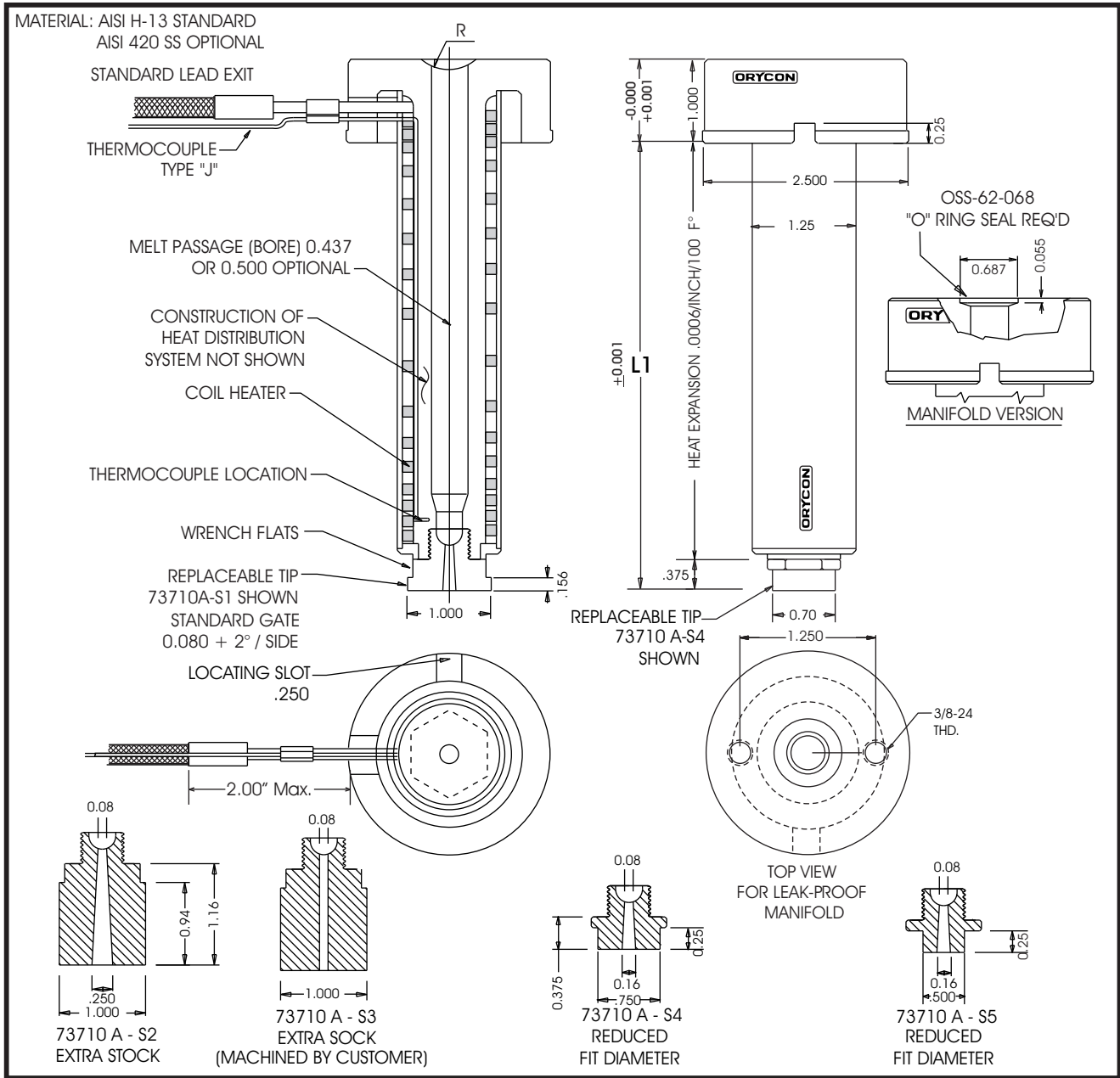
ABOVE ARE TYPE "J"

REPLACEMENT HEATERS

ADD "H" BEFORE
NOZZLE'S CATALOG NO.
example:
H-BCI2037-63MS1-01

OPTIONS:

- 01 - 90° LEAD EXIT
- 02 - AXIAL LEAD EXIT



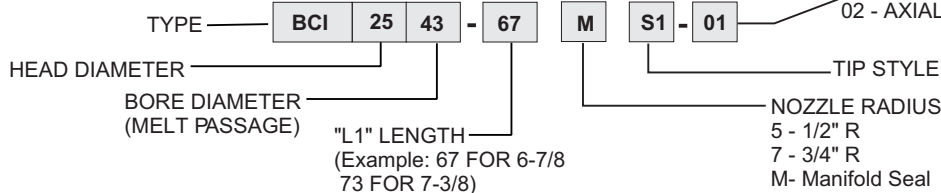
Hot Sprue Bushings/
Gating Nozzles

SPRUE BUSHINGS

"L1" STANDARD DIMENSIONS:
2.375, 2.875, 3.375, 3.875, 4.375, 4.875, 5.375, 5.875, 6.375,
6.875, 7.375, 7.875, 8.375, 8.875, 9.375
(Other sizes available with longer delivery times.)

PRICES AND SPECIFICATIONS ARE SUBJECT TO CHANGE WITHOUT NOTICE
HEATERS ARE 220V STANDARD

TO ORDER PLEASE SPECIFY



REPLACEMENT THERMOCOUPLES

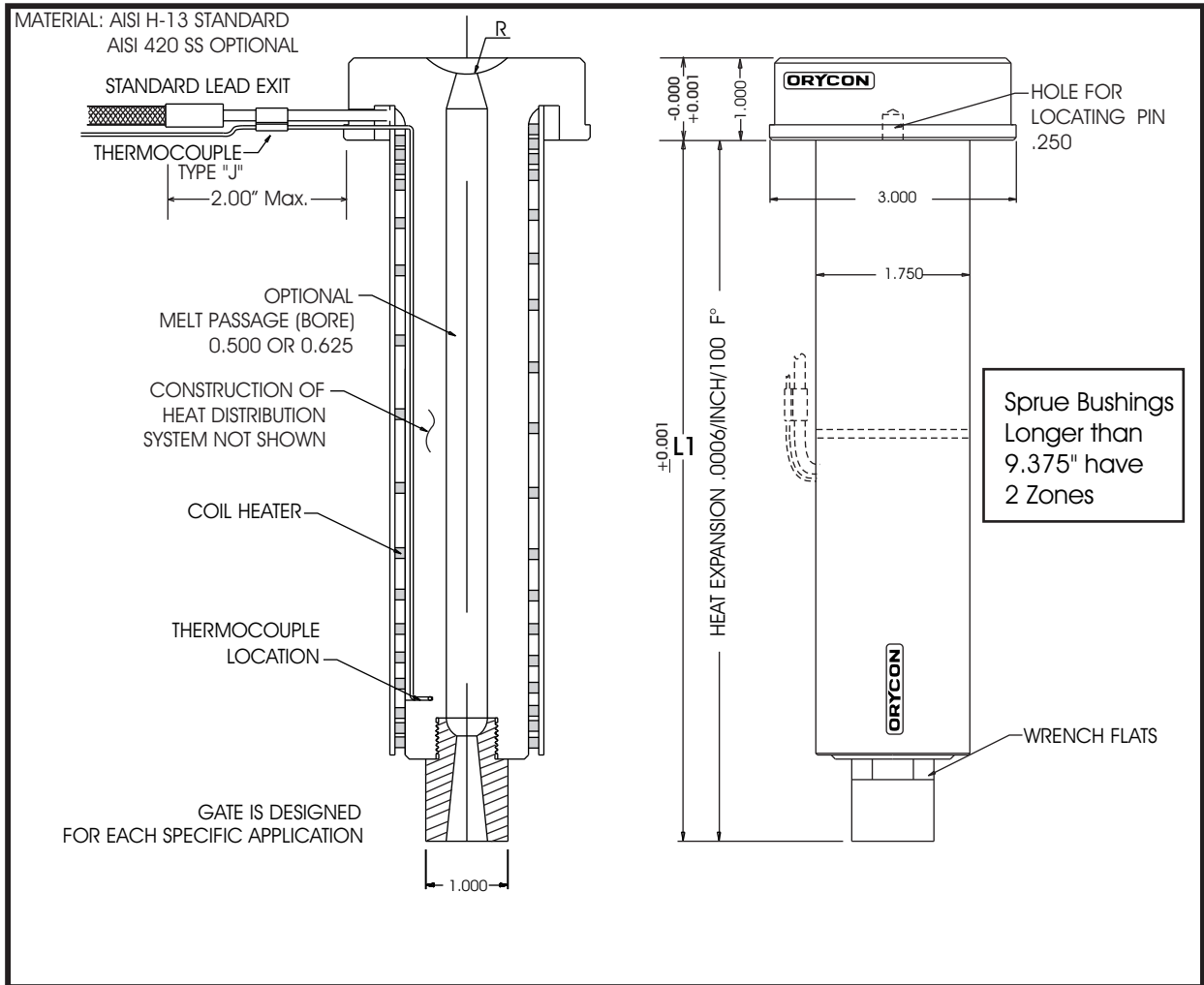
ALL SIZES
CATALOG NO.
OCT-025-14

REPLACEMENT HEATERS

ADD "H" BEFORE
NOZZLE'S CATALOG NO.
example:
H-BCI2543-67MS1-01

ABOVE ARE TYPE "J"

BCI Series HEATED SPRUE BUSHINGS BCI3050/62 Standard Sizes 1/2" AND 5/8" DIA. MELT PASSAGE



Hot Sprue Bushings/
Gating Nozzles

SPRUE BUSHINGS

"L1" STANDARD DIMENSIONS:

5.375, 6.375, 7.375, 8.375, 9.375, 10.375, 11.375, 12.375, 13.375, 14.375, 15.375
(Other sizes available with longer delivery times.)

PRICES AND SPECIFICATIONS ARE SUBJECT TO CHANGE WITHOUT NOTICE
HEATERS ARE 220V STANDARD

REPLACEMENT THERMOCOUPLES

ALL SIZES
CATALOG NO.
OCT-025-14

REPLACEMENT HEATERS

ADD "H" BEFORE
NOZZLE'S CATALOG NO.
example:
H-BCI3050-73MS1-01

ABOVE ARE TYPE "J"

TO ORDER PLEASE SPECIFY

TYPE — **BCI 30 50 - 73**

HEAD DIAMETER —

BORE DIAMETER (MELT PASSAGE) —

"L1" LENGTH —
(Example:
73 FOR 7-3/8)

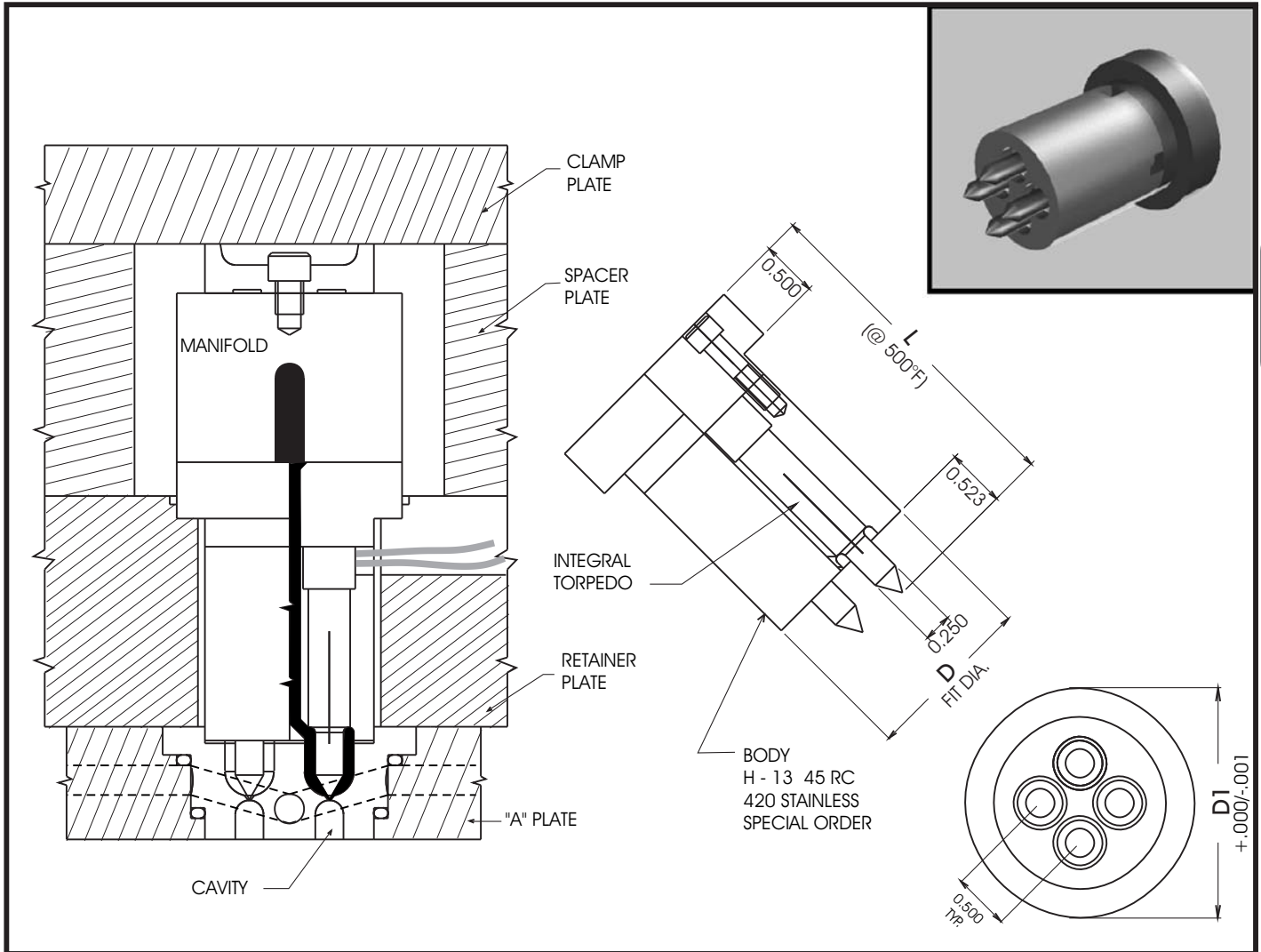
OPTIONS:
01 - 90° LEAD EXIT
02 - AXIAL LEAD EXIT

M S1 - 01

TIP STYLE —

NOZZLE RADIUS
5 - 1/2" R
7 - 3/4" R
M- Manifold Seal

MCL SERIES MINIATURE CLUSTERS WITH INDIVIDUAL TIP CONTROL



Hot Sprue
Bushings/
Gating Nozzles

Note:

Miniature clusters with more than 4 tips have additional external heater. Non-standard configurations can be supplied. Call ORYCON for details.

STANDARD DIMENSIONS:

FIT DIAMETER - 1.500

"L1" 3.000 (4 tips)

"L1" 4.000 (4 tips)

FIT DIAMETER - 2.000

"L1" 3.000 (6 tips)

"L1" 4.000 (6 tips)

REPLACEMENT THERMOCOUPLES

ALL SIZES
CATALOG NO.
OCT-020-06

(Other sizes available with longer delivery times.)
PRICES AND SPECIFICATIONS ARE SUBJECT TO CHANGE WITHOUT NOTICE

NOTE: NON-STANDARD LENGTHS CAN BE SUPPLIED ON SPECIAL ORDER

TO ORDER PLEASE SPECIFY

TYPE — **MCL 30** - **1.5** - **4** - **M** — RADIUS TYPE
5- FOR 1/2" R MACHINE NOZZLE
M- FOR MANIFOLD

LENGTH — FIT DIA. — NO. OF TIPS