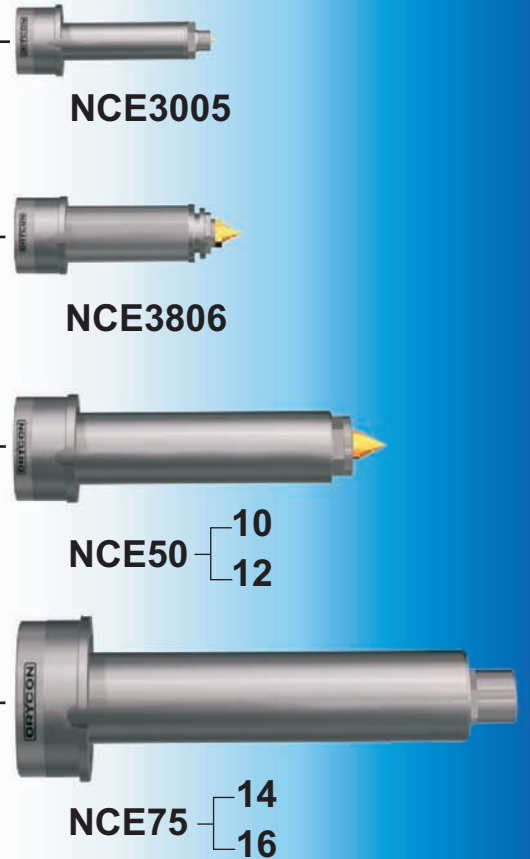
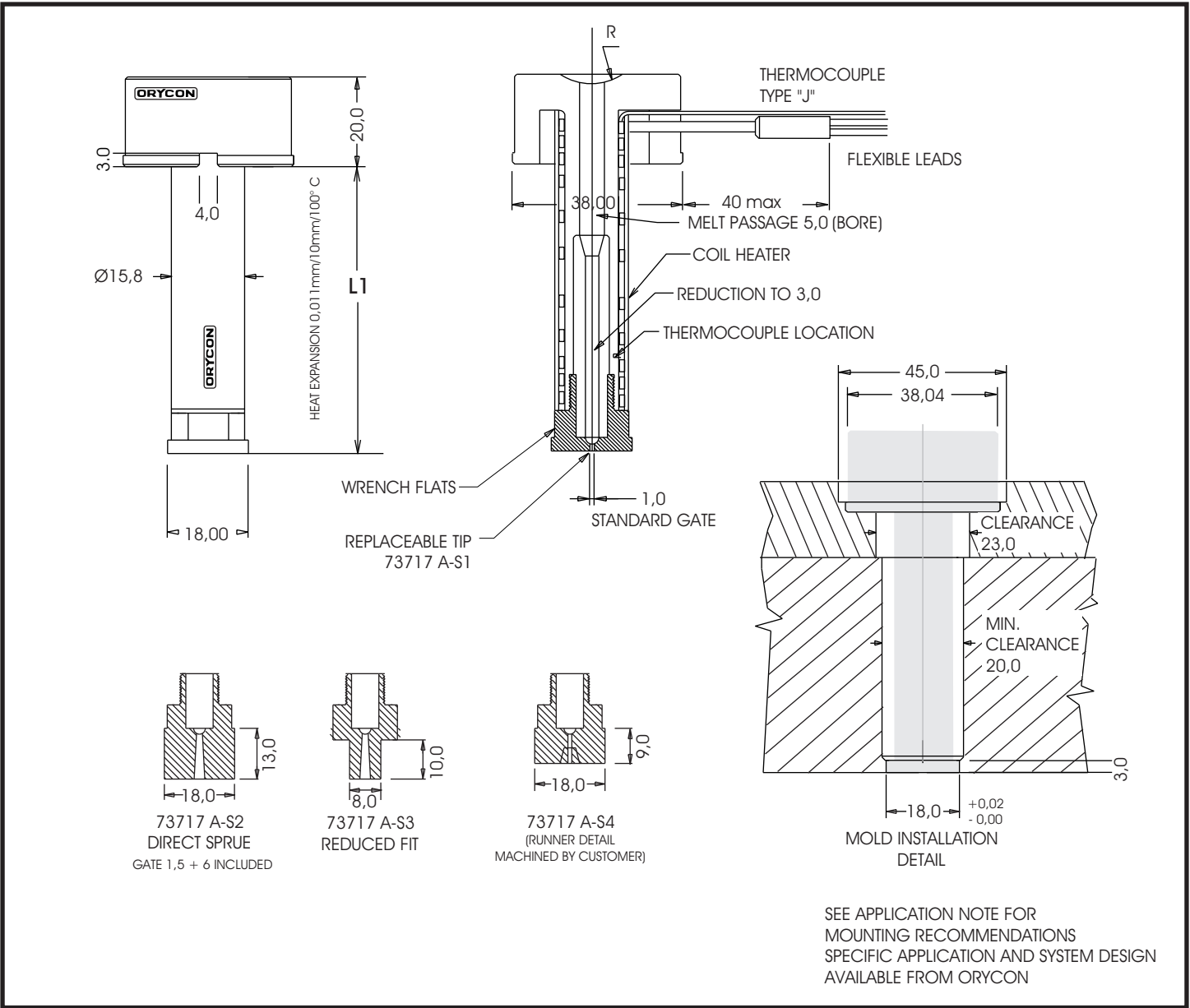


SPRUE BUSHINGS
FOR USE AS
SINGLE TIP OR WITH MANIFOLDS



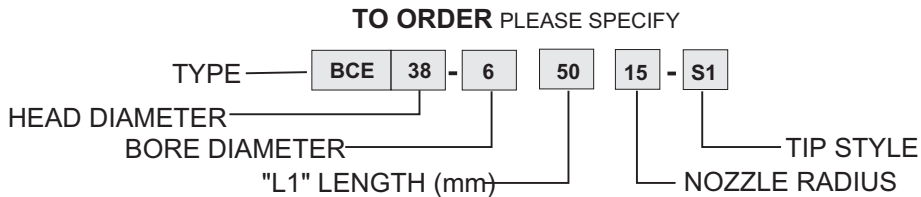
GATING NOZZLES
FOR USE AS
SINGLE TIP OR WITH MANIFOLDS

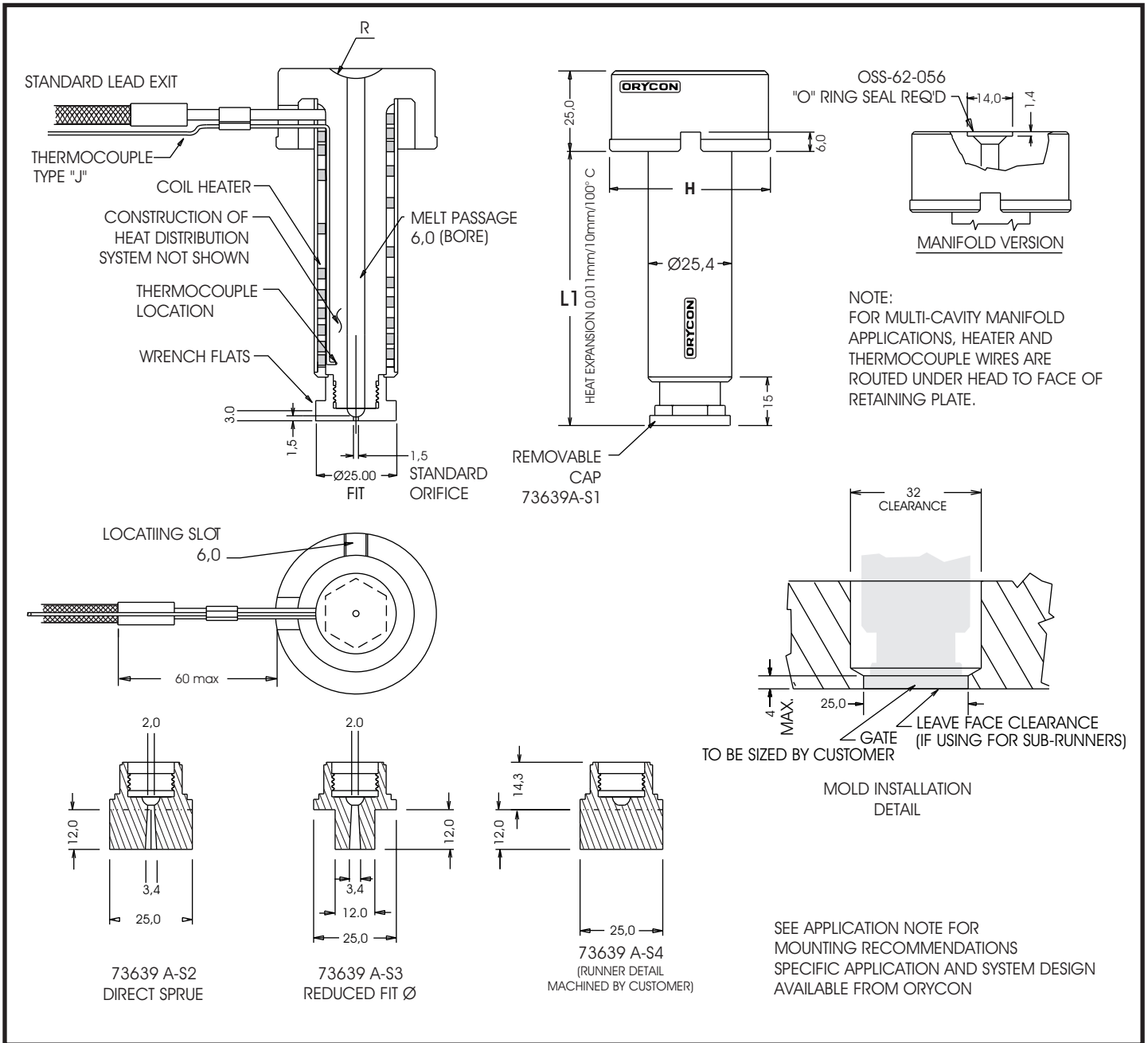




L1 DIMENSION AVAILABLE: (mm)
30 - 40 - 50 - 60 - 70 - 80 - 90 - 100 - 110 - 120
(Other sizes available with longer delivery times.)

R RADIUS AVAILABLE IN THE FOLLOWING SIZES:
15 - 40 - 12,7(1/2)" - 19,5 (3/4")
OPTION: M - "O" RING SEAT (FOR OSS-62-056)
WHEN USED WITH MANIFOLD

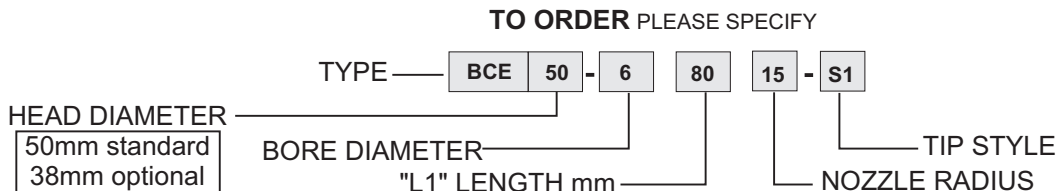


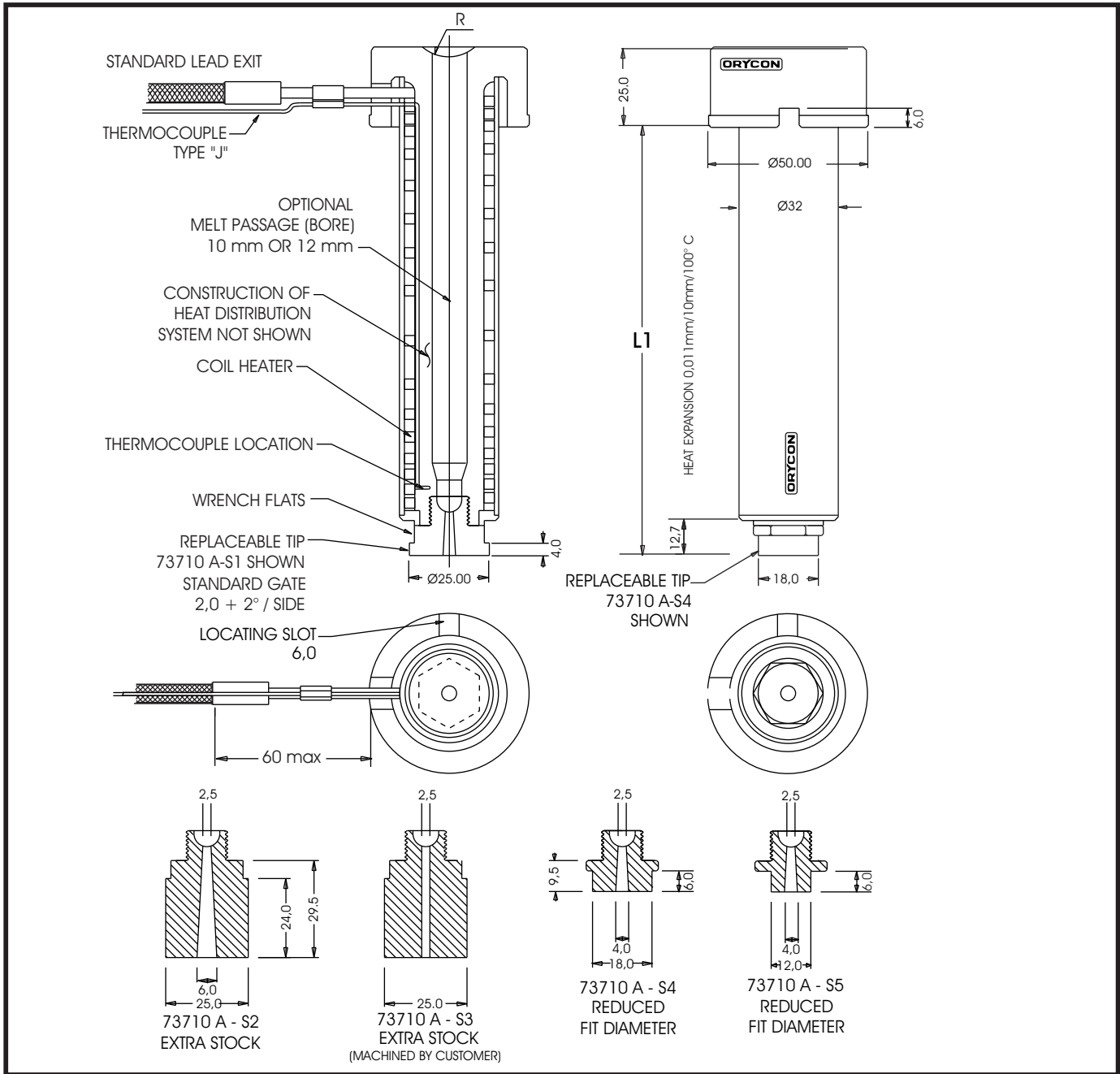


Hot Sprue Bushings/ Gating Nozzles

L1 DIMENSION AVAILABLE: (mm)
 30 - 40 - 50 - 60 - 70 - 80 - 90 - 100 - 110 - 120
 (Other sizes available with longer delivery times.)

R RADIUS AVAILABLE IN THE FOLLOWING SIZES:
 15 - 40 - 12,7(1/2)" - 19,5 (3/4)"
 OPTION: M - "O" RING SEAT (FOR OSS-62-056)
 WHEN USED WITH MANIFOLD





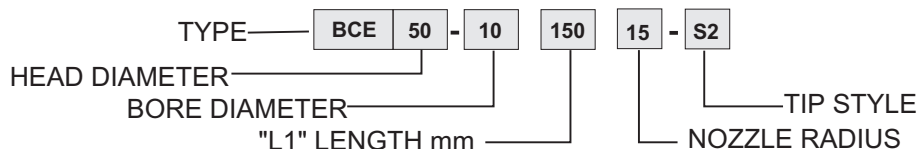
L1 DIMENSION AVAILABLE: (mm)

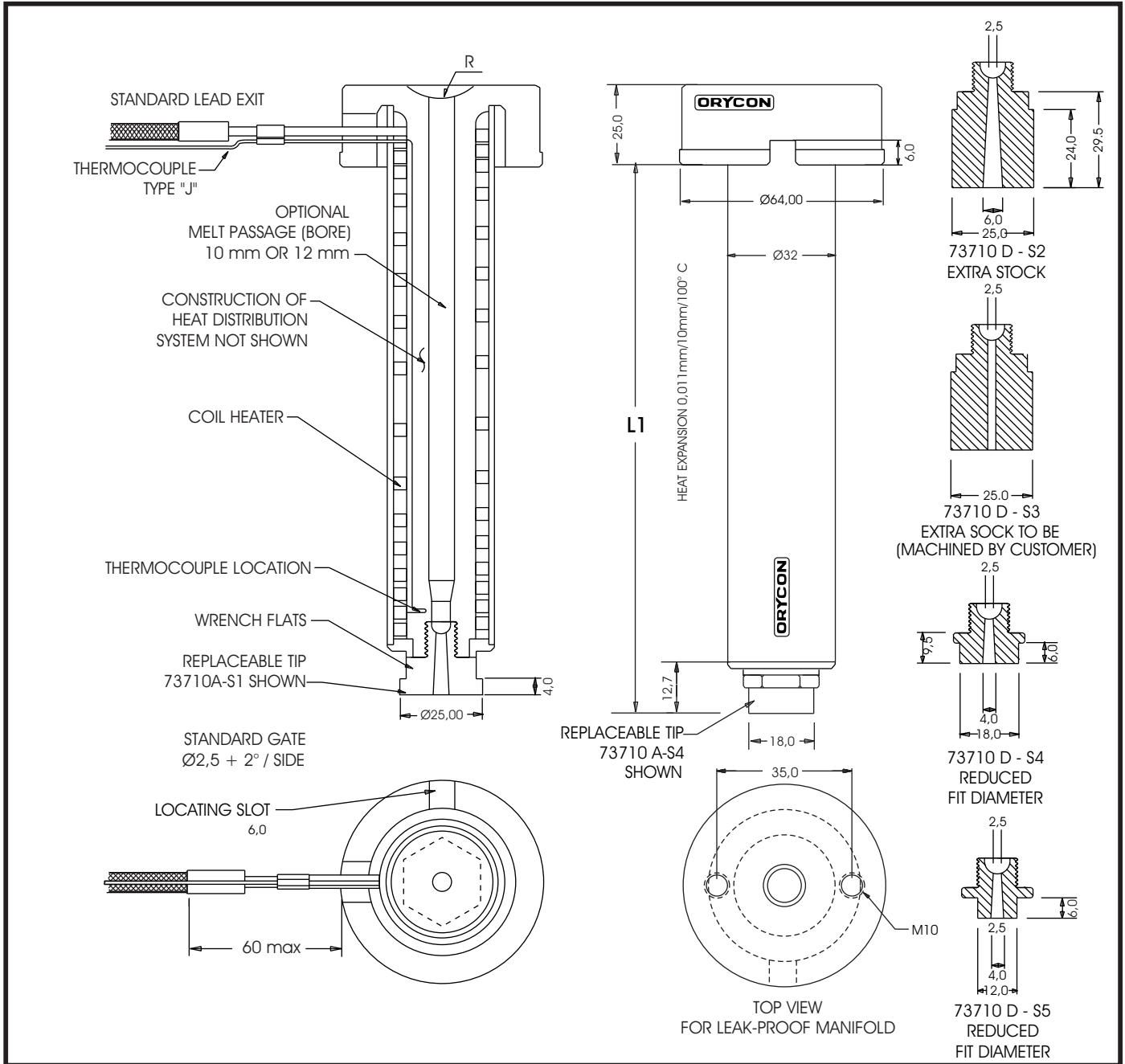
80 - 90 - 100 - 110 - 120 - 140 - 160 - 180 - 200
 220 - 240 - 260 - 280 - 300
 (Other sizes available with longer delivery times.)

R RADIUS AVAILABLE IN THE FOLLOWING SIZES:

15 - 40 - 12,7(1/2") - 19,5 (3/4")
 OPTION: M - "O" RING SEAT (FOR OSS-62-056)
 WHEN USED WITH MANIFOLD

TO ORDER PLEASE SPECIFY

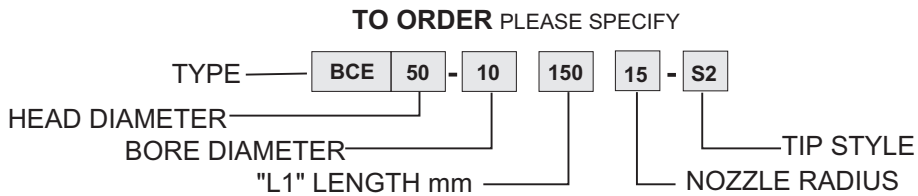


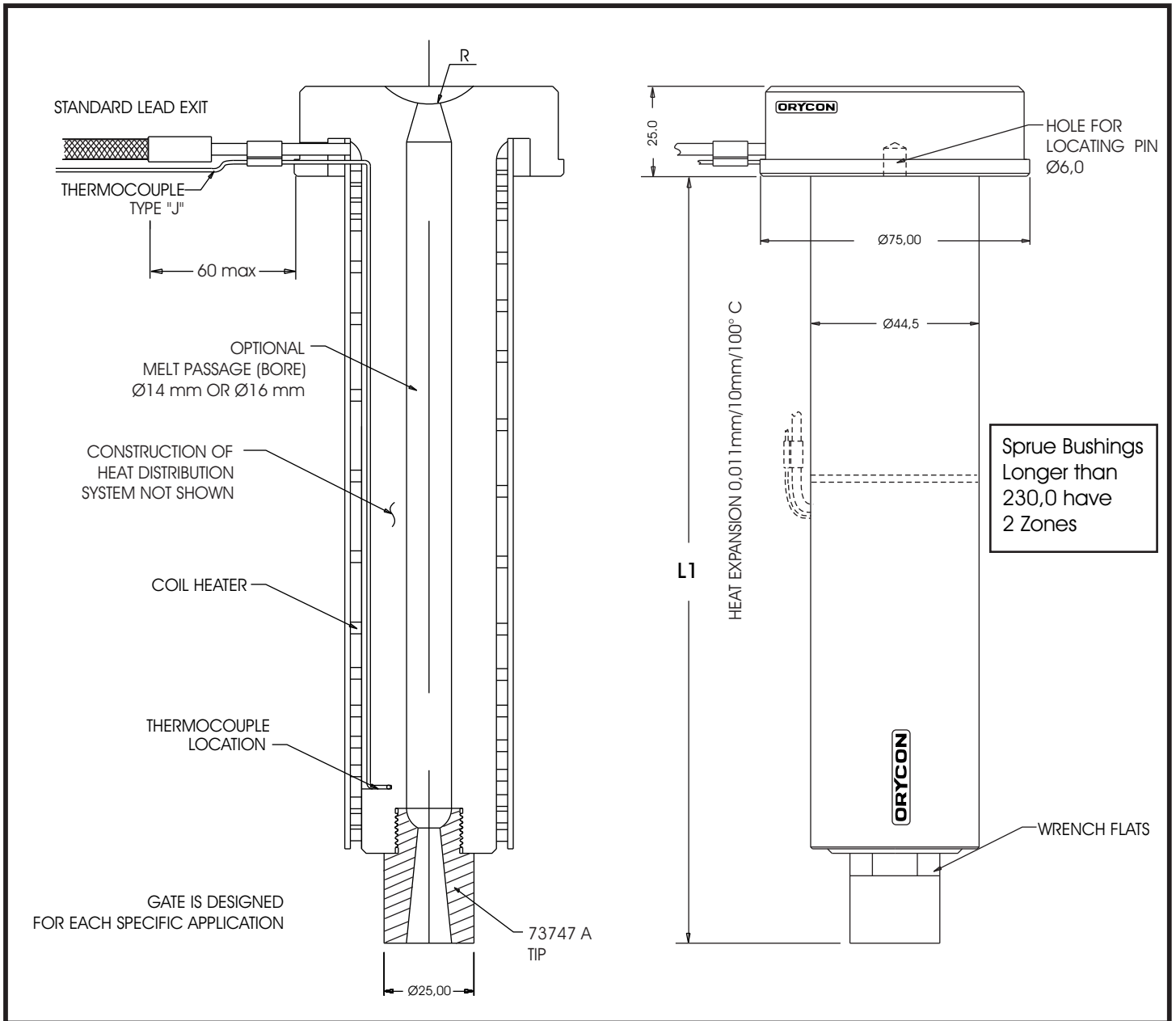


Hot Sprue Bushings/
Gating Nozzles

L1 DIMENSION AVAILABLE: (mm)
 80 - 90 - 100 - 110 - 120 - 140 - 160 - 180 - 200
 220 - 240 - 260 - 280 - 300
 (Other sizes available with longer delivery times.)

R RADIUS AVAILABLE IN THE FOLLOWING SIZES:
 15 - 40 - 12,7(1/2") - 19,5 (3/4")
 OPTION: M - "O" RING SEAT (FOR OSS-62-068)
 WHEN USED WITH MANIFOLD





Hot Sprue Bushings/
Gating Nozzles

L1 DIMENSION AVAILABLE: (mm)
120 - 140 - 160 - 180 - 200 - 220 - 240 - 260 - 280
300 - 320 - 340 - 360 - 380 - 400
(Other sizes available with longer delivery times.)

R RADIUS AVAILABLE IN THE FOLLOWING SIZES:
15 - 40 - 19,5 (3/4")
OPTION: M - "O" RING SEAT (FOR OSS-62-087)
WHEN USED WITH MANIFOLD

TO ORDER PLEASE SPECIFY

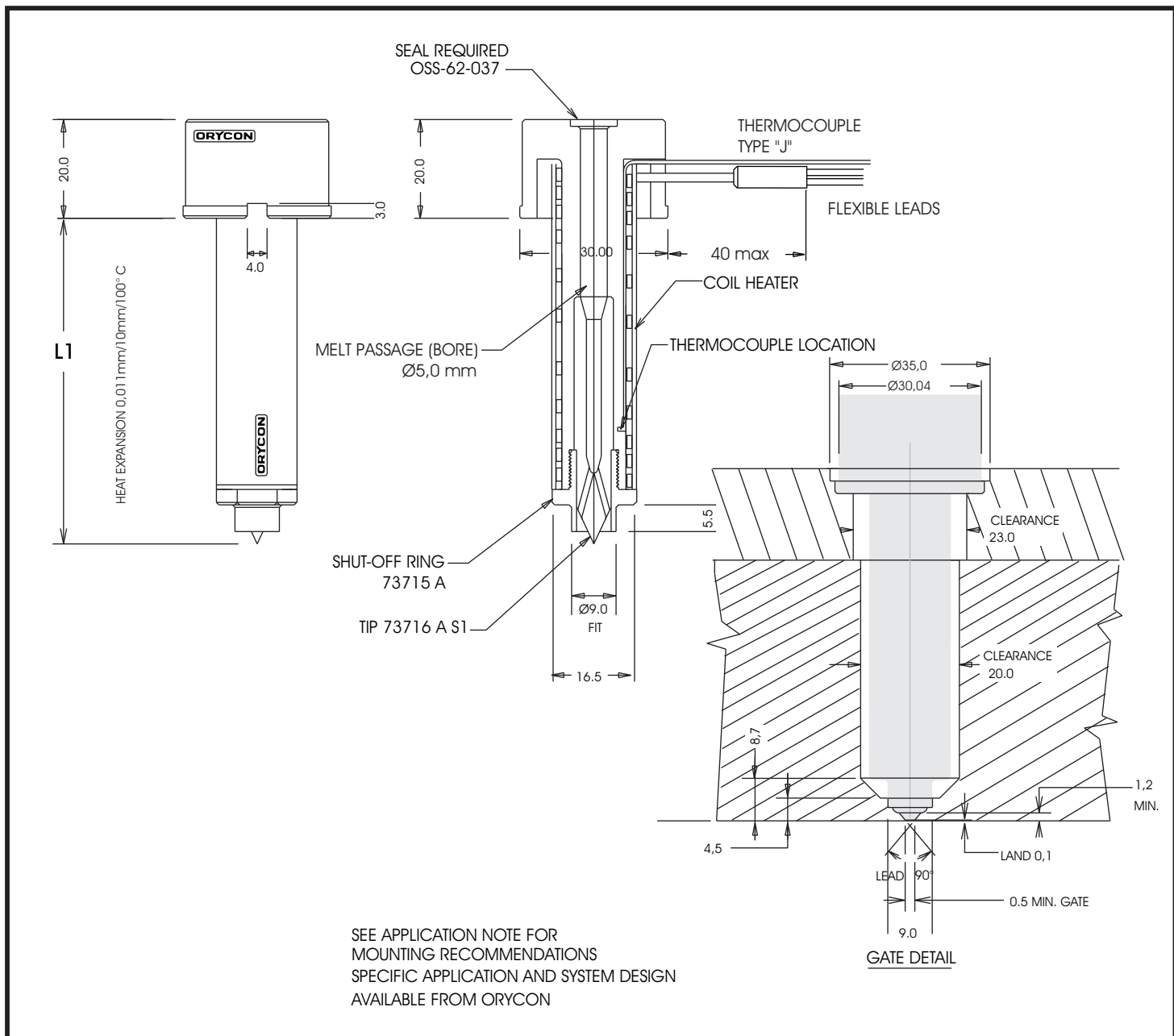
TYPE — **BCE 75 - 14 250 15**

HEAD DIAMETER — **75**

BORE DIAMETER — **14**

"L1" LENGTH (mm) — **250**

NOZZLE RADIUS — **15**



Hot Sprue
Bushings/
Gating Nozzles

L1 DIMENSION AVAILABLE: (mm)
30 - 40 - 50 - 60 - 70 - 80 - 90 - 100 - 110 - 120
(Other sizes available with longer delivery times.)

R RADIUS AVAILABLE IN THE FOLLOWING SIZES:
15 - 12,7(1/2")
OPTION: M - "O" RING SEAT (FOR OSS-62-067)
WHEN USED WITH MANIFOLD

TO ORDER PLEASE SPECIFY

TYPE — **NCE 30 - 5 50 15 - S1**

HEAD DIAMETER —

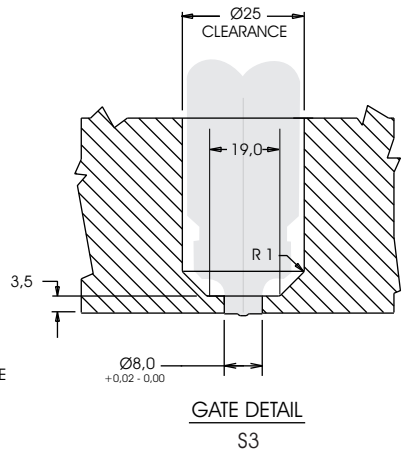
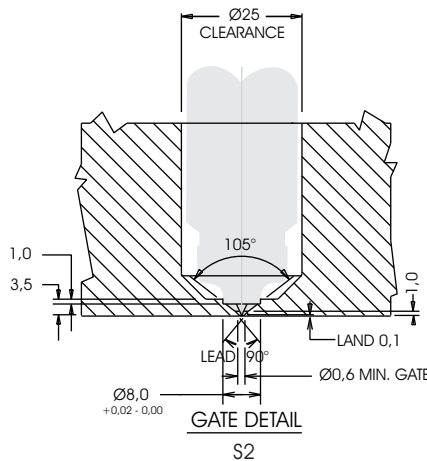
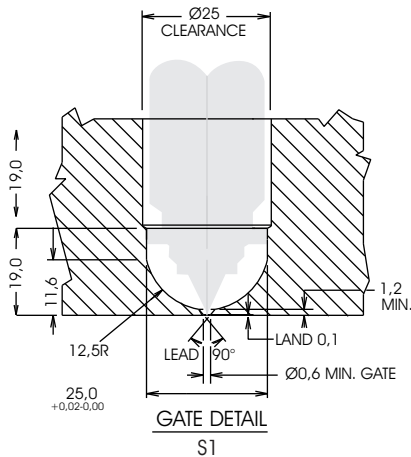
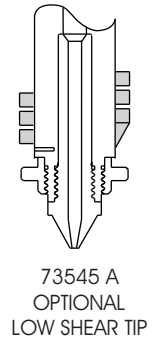
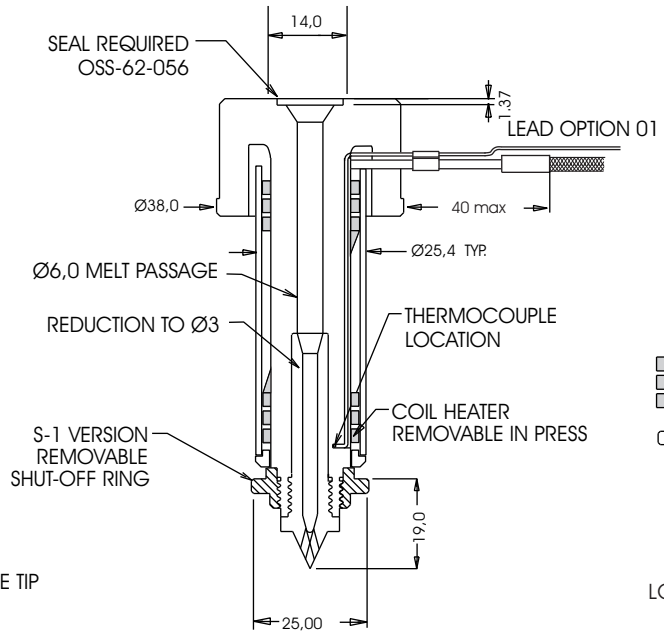
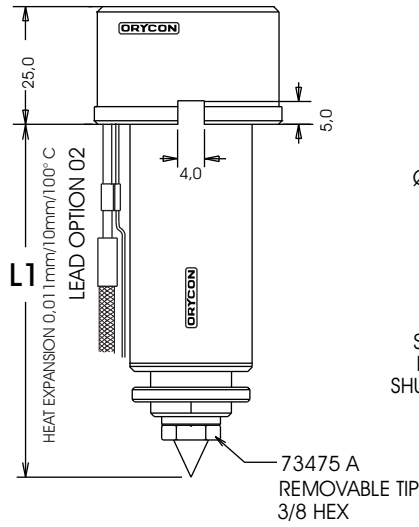
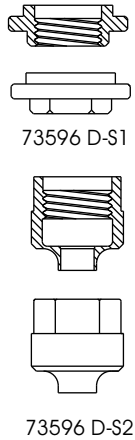
BORE DIAMETER —

"L1" LENGTH (mm) —

TIP STYLE —

NOZZLE RADIUS —

SEE APPLICATION NOTE FOR MOUNTING RECOMMENDATIONS
SPECIFIC APPLICATION AND SYSTEM DESIGN
AVAILABLE FROM ORYCON

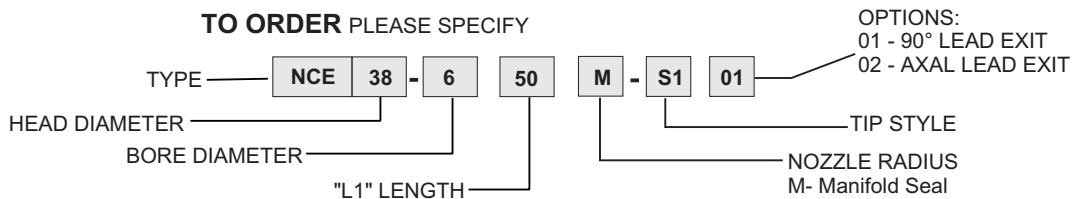


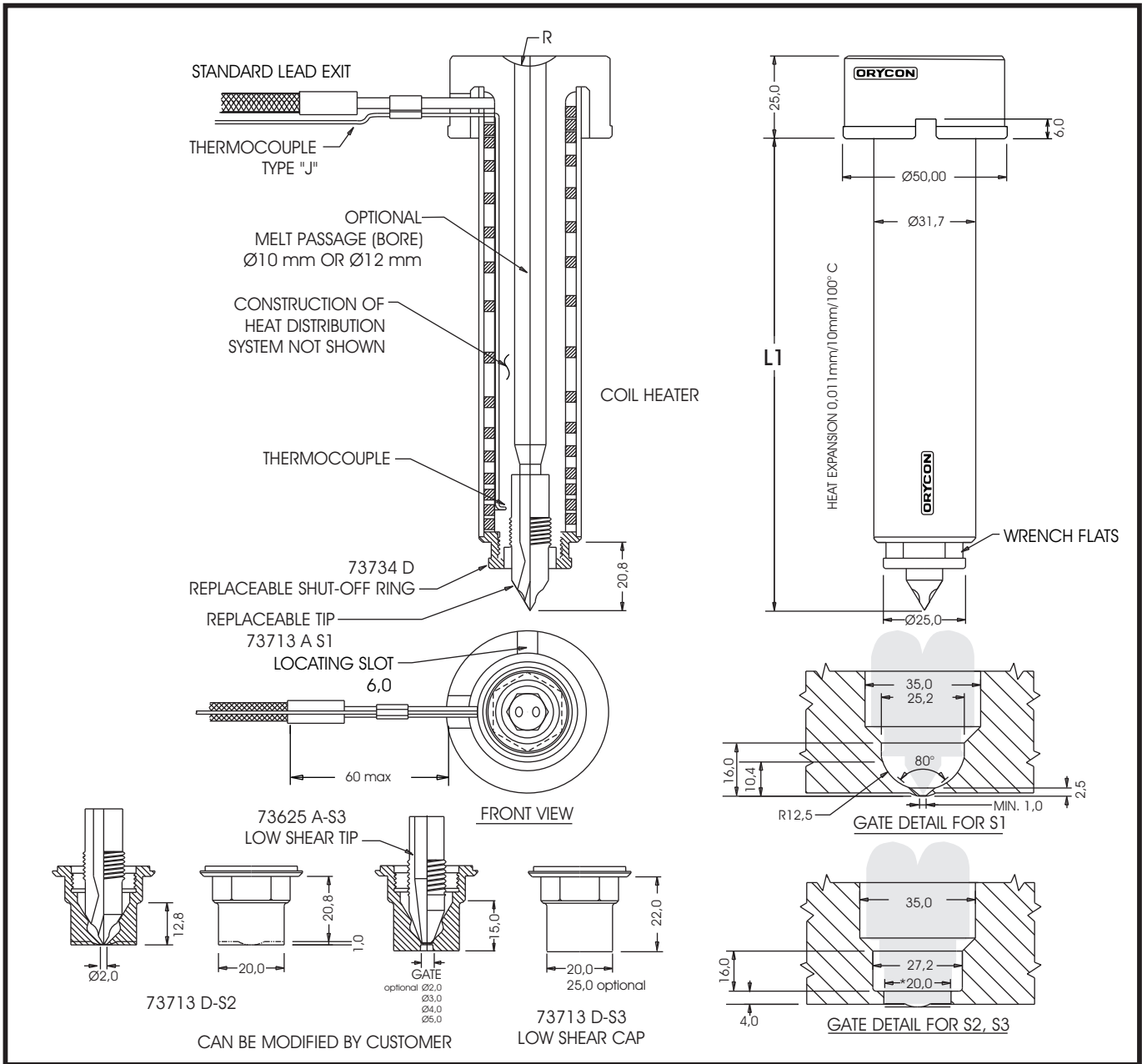
L1 DIMENSION AVAILABLE: (mm) 30 - 40 - 50 - 60 - 70 - 80 - 90 - 100 - 110 - 120 - 130 - 140 - 150 - 160
(Other sizes available with longer delivery times.)

R RADIUS AVAILABLE IN THE FOLLOWING SIZES:

15 - 12,7(1/2")
OPTION: M - "O" RING SEAT (FOR OSS-62-067)
WHEN USED WITH MANIFOLD

TO ORDER PLEASE SPECIFY





Hot Sprue Bushings/
Gating Nozzles

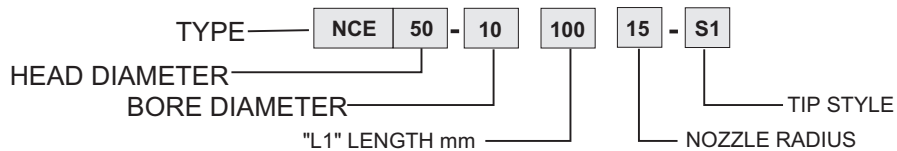
L1 DIMENSION AVAILABLE: (mm)

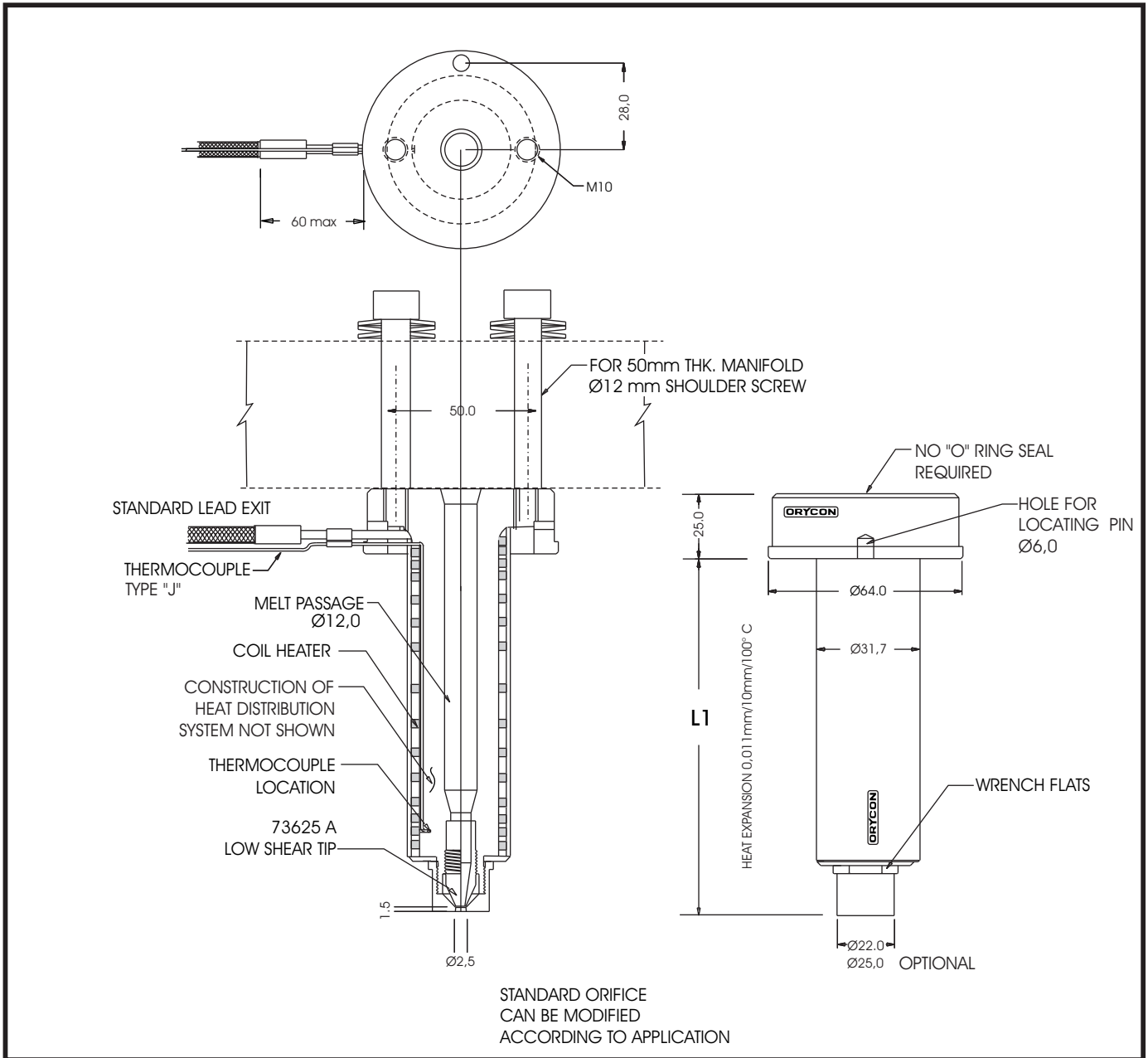
80 - 100 - 120 - 140 - 160 - 180 - 200 - 220 - 240
260 - 280 - 300
(Other sizes available with longer delivery times.)

R RADIUS AVAILABLE IN THE FOLLOWING SIZES:

15 - 40 - 12,7(1/2") - 19,5 (3/4")
OPTION: M - "O" RING SEAT (FOR OSS-62-067)
WHEN USED WITH MANIFOLD

TO ORDER PLEASE SPECIFY

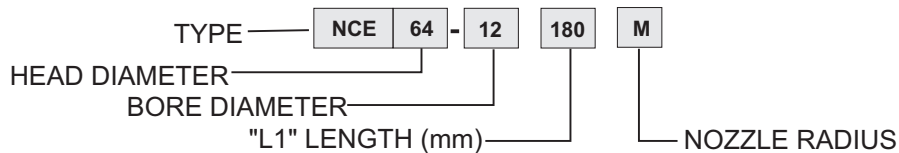


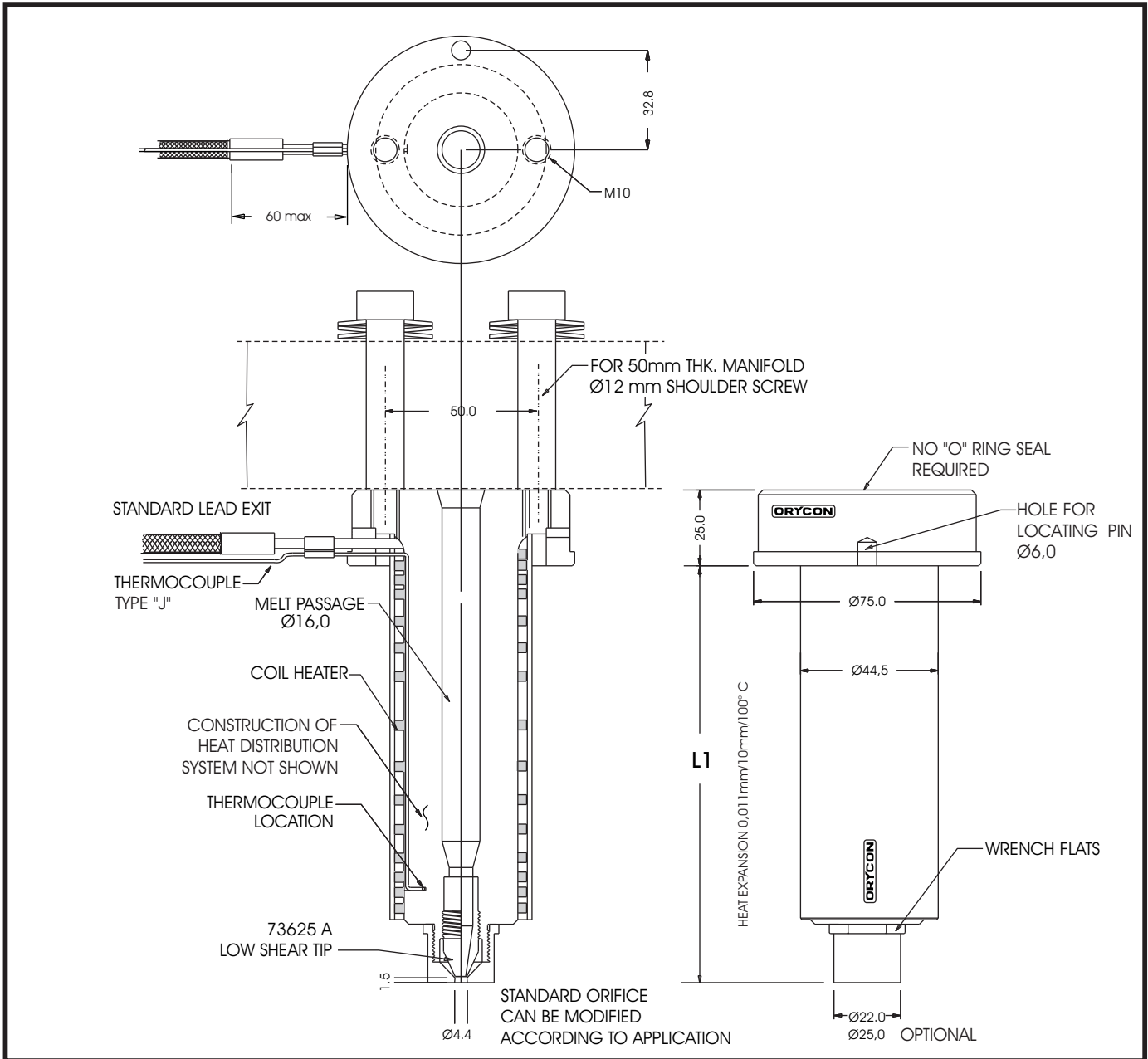


L1 DIMENSION AVAILABLE: (mm)
 100 - 120 - 140 - 160 - 180 - 200 - 220 - 240 - 260 -
 280 - 300 - 320 - 340 - 360 - 380 - 400
 (Other sizes available with longer delivery times.)

R RADIUS AVAILABLE IN THE FOLLOWING SIZES:
 15 - 40 - 12,7(1/2") - 19,5 (3/4")
 OPTION: M - "O" RING SEAT (FOR OSS-62-067)
 WHEN USED WITH MANIFOLD

TO ORDER PLEASE SPECIFY





L1 DIMENSION AVAILABLE: (mm)

100 - 120 - 140 - 160 - 180 - 200 - 220 - 240 - 260 - 280 - 300 - 320 - 340 - 360 - 380 - 400
(Other sizes available with longer delivery times.)

R RADIUS AVAILABLE IN THE FOLLOWING SIZES:

15 - 40 - 12,7(1/2") - 19,5 (3/4")
OPTION: M - "O" RING SEAT (FOR OSS-62-067)
WHEN USED WITH MANIFOLD

TO ORDER PLEASE SPECIFY

